

Qwest Corporation d/b/a CenturyLink QC
Access Service
Catalog No. 1

NORTHERN IDAHO
Issued: 12-15-16

TITLE PAGE
Release 3
Effective: 1-1-17

Regulations, Rates and Charges applying to the provision of
Access Services within a Local Access and Transport Area (LATA)
or equivalent market areas for connection
to intrastate communications facilities

for Customers within the operating territory of

Qwest Corporation d/b/a CenturyLink QC

Whether offered under the name, or the trade or brand name CenturyLink (T)

in the State of

IDAHO

(COMPANY CODE 5162)

as provided herein.

Access Services are provided by means of wire, fiber optics, radio or any other
suitable technology or a combination thereof.

ADOPTION NOTICE

Effective April 1, 2011, Qwest Corporation registered the fictitious name
CenturyLink QC. Effective August 8, 2011, Qwest Corporation began operating
under the name CenturyLink QC. As such, Qwest Corporation d/b/a CenturyLink
QC hereby adopts, ratifies and makes its own, in every respect as if the same had
been originally filed by it, all schedules, rules, notices, concurrences, schedule
agreements, divisions, authorities or other instruments whatsoever, filed with the
Idaho Public Utilities Commission, State of Idaho, by or adopted by Qwest
Corporation.

By this notice, Qwest Corporation d/b/a CenturyLink QC also adopts and ratifies
all supplements or amendments to any of the above schedules, etc., which Qwest
Corporation has heretofore filed with said Commission.

Qwest Corporation d/b/a CenturyLink QC
Access Service
Catalog No. 1

NORTHERN IDAHO
Issued: 5-31-13

SECTION 1
Index Page 1
Release 2
Effective: 7-2-13

Idaho Public Utilities Commission
Office of the Secretary
ACCEPTED FOR FILING (C)
July 2, 2013
Boise, Idaho

1. APPLICATION AND REFERENCE

SUBJECT	PAGE
Application of Catalog.....	1
Catalog Format.....	17
Explanation of Abbreviations	20
Explanation of Change Symbols.....	19
Reference to Other Publications	32
Reference to Other Tariffs and Catalogs	26
Reference to Technical Publications.....	27
Subject Index	13
Table of Contents.....	2
Trademarks, Service Marks and Trade Names	26

Qwest Corporation d/b/a CenturyLink QC
Access Service
Catalog No. 1

SECTION 1
Page 1
Release 2
Effective: 8-8-11

NORTHERN IDAHO
Issued: 7-28-11

1. APPLICATION AND REFERENCE

1.1 APPLICATION OF CATALOG

This Catalog contains regulations, terms, conditions, rates and charges applicable to the provision of Carrier Common Line, Switched Access Service, Expanded Interconnection Service and other miscellaneous services, hereinafter referred to collectively as service(s), provided by Qwest Corporation d/b/a CenturyLink QC, hereinafter referred to as the Company. The regulated services offered herein by Qwest Corporation d/b/a CenturyLink QC, whether under that name or the trade or brand name CenturyLink, are subject to the terms and conditions of this Catalog.

(T)
(C)
—
(C)

These services are provided to customers for resale of intrastate telecommunication services to others. Switched Access Services are also provided to end users who utilize Feature Group A Switched Access Service-Foreign Exchange (FX) Services or Off Network Access Lines (ONAL) connected to a private line network not for resale. A Carrier Identification Code (CIC) must be obtained before customers can purchase Switched Access Service for resale.

(T)

Providers of interexchange service, that furnish service between Local Calling Areas, must purchase services from this document for their use in furnishing their authorized intrastate telecommunications services to end user customers, and for operational purposes directly related to the furnishing of such services.

The provision of such services by the Company as set forth in this document does not constitute a joint undertaking with the customer for the furnishing of any service.

Qwest Corporation d/b/a CenturyLink QC
Access Service
Catalog No. 1

SECTION 1
Page 2
Release 3
Effective: 1-1-17

NORTHERN IDAHO
Issued: 12-15-16

1. APPLICATION AND REFERENCE

1.2 TABLE OF CONTENTS

	PAGE
SECTION 1. APPLICATION AND REFERENCE	
1.1 APPLICATION OF CATALOG	1
1.2 TABLE OF CONTENTS	2
1.3 SUBJECT INDEX.....	13
1.4 CATALOG FORMAT	17
1.4.1 LOCATION OF MATERIAL.....	17
1.4.2 OUTLINE STRUCTURE.....	17
1.4.3 RATE TABLES.....	18
1.4.4 RESERVED FOR FUTURE USE	18
1.5 EXPLANATION OF CHANGE SYMBOLS.....	19
1.6 EXPLANATION OF ABBREVIATIONS	20
1.7 TRADEMARKS, SERVICE MARKS AND TRADE NAMES	26
1.8 REFERENCE TO TARIFFS AND OTHER CATALOGS	26
1.9 REFERENCE TO TECHNICAL PUBLICATIONS	27
1.10 REFERENCE TO OTHER PUBLICATIONS	32
SECTION 2. GENERAL REGULATIONS	
2.1 UNDERTAKING OF THE COMPANY	1
2.1.1 SCOPE	1
2.1.2 LIMITATIONS	1
2.1.3 LIABILITY.....	2
2.1.4 PROVISION OF SERVICES.....	4
2.1.5 INSTALLATION AND TERMINATION OF SERVICES	4
2.1.6 MAINTAINING SERVICES	5
2.1.7 CHANGES AND SUBSTITUTIONS	5
2.1.8 REFUSAL AND DISCONTINUANCE OF SERVICE	5
2.1.9 LIMITATION OF USE OF METALLIC FACILITIES	6
2.1.10 NOTIFICATION OF SERVICE-AFFECTING ACTIVITIES.....	6
2.1.11 COORDINATION WITH RESPECT TO NETWORK CONTINGENCIES.....	6
2.1.12 PROVISION AND OWNERSHIP OF TELEPHONE NUMBERS.....	6

(T)

Qwest Corporation d/b/a CenturyLink QC
Access Service
Catalog No. 1

SECTION 1
Page 3
Release 2
Effective: 7-2-13

Idaho Public Utilities Commission
Office of the Secretary
ACCEPTED FOR FILING (C)
July 2, 2013
Boise, Idaho

NORTHERN IDAHO
Issued: 5-31-13

1. APPLICATION AND REFERENCE

1.2 TABLE OF CONTENTS (Cont'd)

	PAGE
2.2 USE.....	7
2.2.1 INTERFERENCE OR IMPAIRMENT AND UNLAWFUL USE	7
2.3 OBLIGATIONS OF THE CUSTOMER	8
2.3.1 DAMAGES	8
2.3.2 OWNERSHIP OF FACILITIES	8
2.3.3 EQUIPMENT SPACE AND POWER	8
2.3.4 AVAILABILITY FOR TESTING.....	9
2.3.5 BALANCE	9
2.3.6 DESIGN OF CUSTOMER SERVICES	9
2.3.7 REFERENCES TO THE COMPANY	9
2.3.8 CLAIMS AND DEMANDS FOR DAMAGES	10
2.3.9 COORDINATION WITH RESPECT TO NETWORK CONTINGENCIES	10
2.3.10 JURISDICTIONAL REPORT REQUIREMENTS	11
2.3.11 DETERMINATION OF INTRASTATE CHARGES FOR MIXED INTERSTATE AND INTRASTATE ACCESS SERVICE	27
2.3.12 DETERMINATION OF JURISDICTION FOR MIXED INTERSTATE AND INTRASTATE ACCESS SERVICE BILLING	28
2.3.13 DETERMINATION OF THE CUSTOMER OF RECORD WHEN SWITCHED ACCESS SERVICE CONNECTS TO EXPANDED INTERCONNECTION SERVICE	28
2.3.14 DETERMINATION OF THE CUSTOMER OF RECORD WHEN SWITCHED ACCESS SERVICE UTILIZES TANDEM SIGNALING INFORMATION	29

Qwest Corporation d/b/a CenturyLink QC
Access Service
Catalog No. 1

SECTION 1
Page 4
Release 2
Effective: 7-2-13

Idaho Public Utilities Commission
Office of the Secretary
ACCEPTED FOR FILING (C)
July 2, 2013
Boise, Idaho

NORTHERN IDAHO
Issued: 5-31-13

1. APPLICATION AND REFERENCE

1.2 TABLE OF CONTENTS (Cont'd)

	PAGE
2.4 PAYMENT ARRANGEMENTS AND CREDIT ALLOWANCES	30
2.4.1 PAYMENT OF RATES, CHARGES AND DEPOSITS	30
2.4.2 MINIMUM PERIODS	35
2.4.3 CANCELLATION OF AN ORDER FOR SERVICE	36
2.4.4 CANCELLATION FOR CAUSE	36
2.4.5 CREDIT ALLOWANCE FOR SERVICE INTERRUPTIONS	36
2.4.6 REESTABLISHMENT OF SERVICE FOLLOWING FIRE, FLOOD OR OTHER OCCURRENCE	40
2.4.7 TITLE OR OWNERSHIP RIGHTS	40
2.4.8 ORDERING, RATING AND BILLING OF ACCESS SERVICES WHERE MORE THAN ONE EXCHANGE TELEPHONE COMPANY IS INVOLVED	41
2.4.9 ORDERING, RATING AND BILLING OF SWITCHED ACCESS SERVICE PROVIDED IN CONJUNCTION WITH A COMMERCIAL MOBILE RADIO SERVICE PROVIDER	49
2.5 CONNECTIONS	50
2.5.1 GENERAL	50
2.6 DEFINITIONS	51
2.7 SHARED USE REGULATIONS	79
2.7.1 PLTS AND SWITCHED ACCESS SERVICE.....	80
2.7.2 EXPANDED INTERCONNECTION CHANNEL TERMINATION	82
2.7.3 SWITCHED DS3 FACILITY AND CCSAC SERVICE.....	82
2.7.4 PLTS AND SWITCHED ACCESS SERVICE PROVISIONED WITH AN OPTICAL INTERFACE	83

1. APPLICATION AND REFERENCE

1.2 TABLE OF CONTENTS (Cont'd)

	PAGE	
SECTION 3. CARRIER COMMON LINE ACCESS SERVICE		
3.1	1	GENERAL DESCRIPTION
3.2	1	LIMITATIONS
3.2.1	1	EXCLUSIONS
3.2.2	1	ACCESS GROUPS
3.2.3	1	WATS ACCESS LINES (Grandfathered)
3.3	2	UNDERTAKING OF THE COMPANY
3.3.1	2	PROVISION OF SERVICE
3.3.2	2	INTERSTATE AND INTRASTATE USE
3.4	2	OBLIGATIONS OF THE CUSTOMER
3.4.1	2	SWITCHED ACCESS SERVICE REQUIREMENT
3.4.2	2	SUPERVISION
3.5	3	DETERMINATION OF USAGE SUBJECT TO CARRIER COMMON LINE ACCESS RATES
3.5.1	3	DETERMINATION OF JURISDICTION
3.5.3	3	LOCAL EXCHANGE ACCESS AND ENHANCED SERVICE EXEMPTION
3.5.4	4	SWITCHED ACCESS SERVICE PROVIDED IN CONJUNCTION WITH A COMMERCIAL MOBILE RADIO SERVICE PROVIDER
3.5.5	4	COMMON CHANNEL SIGNALING ACCESS CAPABILITY EXEMPTION

Qwest Corporation d/b/a CenturyLink QC
Access Service
Catalog No. 1

SECTION 1
Page 6
Release 2
Effective: 7-2-13

Idaho Public Utilities Commission
Office of the Secretary
ACCEPTED FOR FILING (C)
July 2, 2013
Boise, Idaho

NORTHERN IDAHO
Issued: 5-31-13

1. APPLICATION AND REFERENCE

1.2 TABLE OF CONTENTS (Cont'd)

	PAGE
3.6 RESOLD SERVICES	4
3.6.1 SCOPE	4
3.6.2 CUSTOMER OBLIGATIONS CONCERNING THE RESALE OF MTS AND/OR MTS-TYPE SERVICES	5
3.6.3 RESALE DOCUMENTATION PROVIDED BY THE CUSTOMER	5
3.6.4 RATE REGULATIONS CONCERNING THE RESALE OF MTS AND/OR MTS-TYPE SERVICES	6
3.8 RATE REGULATIONS	10
3.8.1 BILLING OF RATES	10
3.8.3 UNMEASURED FEATURE GROUP A USAGE	10
3.8.4 PERCENT INTERSTATE USE (PIU)	11
3.8.5 DETERMINATION OF RATES	11
3.9 RATES.....	12

SECTION 4. RESERVED FOR FUTURE USE

SECTION 5. ORDERING OPTIONS FOR ACCESS SERVICE

5.1 GENERAL	1
5.1.1 ORDERING CONDITIONS	1
5.1.2 PROVISION OF OTHER SERVICES	2
5.1.3 SPECIAL CONSTRUCTION	3

1. APPLICATION AND REFERENCE

1.2 TABLE OF CONTENTS (Cont'd)

	PAGE
SECTION 5. ORDERING OPTIONS FOR ACCESS SERVICE	
5.2 ACCESS ORDER	5
5.2.1 ACCESS ORDER SERVICE DATE INTERVALS	12
5.2.2 ACCESS ORDER MODIFICATIONS	14
5.2.3 CANCELLATION OF AN ACCESS ORDER.....	18
5.2.4 SELECTION OF FACILITIES FOR ACCESS ORDERS.....	22
5.2.5 MINIMUM PERIOD	22
5.2.6 MINIMUM PERIOD CHARGES	24
5.2.7 SHARED USE FACILITIES	24
5.2.8 DESIGN LAYOUT REPORT.....	24
5.2.9 DISCONTINUANCE OF SERVICE	25
5.3 ACCESS ORDER STANDARD INTERVALS	25
SECTION 6. SWITCHED ACCESS SERVICE	
6.1 GENERAL.....	1
6.1.1 SWITCHED ACCESS SERVICE ARRANGEMENTS AND MANNER OF PROVISION	2
6.1.2 RATE CATEGORIES.....	4
6.1.3 FACILITIES PROTECTION-SPECIAL FACILITIES ROUTING.....	31
6.1.4 DESIGN LAYOUT REPORT.....	31
6.1.5 ACCEPTANCE TESTING.....	32
6.1.6 ORDERING OPTIONS AND CONDITIONS	32

1. APPLICATION AND REFERENCE

1.2 TABLE OF CONTENTS (Cont'd)

	PAGE
SECTION 6. SWITCHED ACCESS SERVICE	
6.2	PROVISION AND DESCRIPTION OF SWITCHED ACCESS SERVICE..... 33
6.2.1	FEATURE GROUP A (FGA)..... 34
6.2.2	FEATURE GROUP B (FGB)..... 40
6.2.3	FEATURE GROUP C (FGC)..... 43
6.2.4	FEATURE GROUP D (FGD)..... 49
6.2.5	800 DATA BASE ACCESS SERVICE 55
6.2.6	900 ACCESS SERVICE..... 59
6.3	COMMON SWITCHING AND TRANSPORT TERMINATION OPTIONAL FEATURES 62
6.3.1	COMMON SWITCHING OPTIONAL FEATURES..... 62
6.3.2	TRANSPORT TERMINATION OPTIONAL FEATURES..... 74
6.4	TRANSMISSION SPECIFICATIONS..... 76
6.5	OBLIGATIONS OF THE COMPANY 77
6.5.1	NETWORK MANAGEMENT..... 77
6.5.2	DESIGN AND TRAFFIC ROUTING OF SWITCHED ACCESS SERVICE..... 78
6.5.3	DS1 RECORDS ASSIGNMENT..... 78
6.5.4	MULTIPLEXING 78
6.5.5	PROVISION OF SERVICE PERFORMANCE DATA..... 79
6.5.6	TRUNK GROUP MEASUREMENT REPORTS 79
6.5.7	DETERMINATION OF NUMBER OF TRANSMISSION PATHS 79
6.5.8	DETERMINATION OF NUMBER OF END OFFICE TRANSPORT TERMINATIONS..... 80
6.5.9	DESIGN BLOCKING PROBABILITY 80

1. APPLICATION AND REFERENCE

1.2 TABLE OF CONTENTS (Cont'd)

	PAGE
6.6 OBLIGATIONS OF THE CUSTOMER	83
6.6.1 ORDERING REQUIREMENTS	83
6.6.2 REPORT REQUIREMENTS	84
6.6.3 SUPERVISORY SIGNALING	85
6.6.4 TRUNK GROUP MEASUREMENT REPORTS	85
6.6.5 DESIGN OF SWITCHED ACCESS SERVICES	85
6.7 RATE REGULATIONS	86
6.7.1 DESCRIPTION AND APPLICATION OF RATES AND CHARGES	86
6.7.2 MINIMUM PERIODS	102
6.7.3 MINIMUM MONTHLY CHARGE	102
6.7.4 CHANGE OF SWITCHED ACCESS SERVICE TYPE	103
6.7.5 MOVES	104
6.7.6 MEASURING ACCESS MINUTES	110
6.7.7 APPLICATION OF RATES FOR EXTENSION SERVICE	117
6.7.8 MESSAGE UNIT CREDIT	117
6.7.9 LOCAL INFORMATION DELIVERY SERVICES	117
6.7.10 MILEAGE MEASUREMENT	118
6.7.11 SHARED USE	121
6.7.12 TERMINATION FX/ONAL FGA	122
6.7.13 PERCENT DIRECT ROUTED (PDR) FACTOR	122
6.8 RATES AND CHARGES	123
6.8.1 SWITCHED TRANSPORT	123
6.8.2 LOCAL SWITCHING	132
6.8.3 MESSAGE UNIT CREDIT	138

Qwest Corporation d/b/a CenturyLink QC
Access Service
Catalog No. 1

NORTHERN IDAHO
Issued: 5-31-13

SECTION 1
Page 10
Release 3
Effective: 7-2-13

Idaho Public Utilities Commission
Office of the Secretary
ACCEPTED FOR FILING (C)
July 2, 2013
Boise, Idaho

1. APPLICATION AND REFERENCE

1.2 TABLE OF CONTENTS (Cont'd)

	PAGE
SECTIONS 7.-11. RESERVED FOR FUTURE USE	
SECTION 12. ADDITIONAL ENGINEERING, ADDITIONAL LABOR AND MISCELLANEOUS SERVICES	
12.1	ADDITIONAL ENGINEERING 1
12.2	ADDITIONAL LABOR 2
12.3	MISCELLANEOUS SERVICES 4
12.3.1	MAINTENANCE OF SERVICE 4
12.3.2	TELECOMMUNICATIONS SERVICE (TSP) PRIORITY SYSTEM..... 5
12.3.3	INTEREXCHANGE CARRIER SUBSCRIPTION..... 11
12.3.4	TESTING SERVICES..... 16
12.3.5	PROVISION OF ACCESS SERVICE BILLING INFORMATION..... 27
12.3.6	RESERVED FOR FUTURE USE 29
12.3.7	TANDEM SERVICE PROVIDER BILL DATA ARRANGEMENTS..... 33

SECTIONS 13.-14. RESERVED FOR FUTURE USE

1. APPLICATION AND REFERENCE

1.2 TABLE OF CONTENTS (Cont'd)

	PAGE
SECTION 15. COMMON CHANNEL SIGNALING NETWORK (CCSN)	
15.1 GENERAL DESCRIPTION	1
15.2 SERVICE DESCRIPTION.....	1.1
15.2.1 COMMON CHANNEL SIGNALING ACCESS CAPABILITY (CCSAC).....	1.1
15.3 RATE CATEGORIES	4
15.3.1 CCSAC RATE CATEGORIES.....	4
15.4 REPORT REQUIREMENTS	5
15.4.1 CCSAC NETWORK MANAGEMENT	5
15.5 ORDERING, SERVICE PROVISIONING AND PERFORMANCE REQUIREMENTS	5
15.5.1 CCSAC ORDERING REQUIREMENTS	5
15.5.2 CCSAC SERVICE PROVISIONING	6
15.5.3 CCSAC PERFORMANCE REQUIREMENTS	6
15.6 TESTING REQUIREMENTS	7
15.6.1 CCSAC ACCEPTANCE TESTING REQUIREMENTS	7
15.6.2 CCSAC ADDITIONAL COOPERATIVE ACCEPTANCE TESTING REQUIREMENTS	7
15.7 CCSAC SERVICE APPLICATION.....	8
15.7.1 CALL SET-UP.....	8
15.7.2 FOREIGN DATABASE QUERIES	8
15.8 RATES AND CHARGES	9

Qwest Corporation d/b/a CenturyLink QC
Access Service
Catalog No. 1

SECTION 1
Page 12
Release 2
Effective: 7-2-13

NORTHERN IDAHO
Issued: 5-31-13

Idaho Public Utilities Commission
Office of the Secretary
ACCEPTED FOR FILING (C)
July 2, 2013
Boise, Idaho

1. APPLICATION AND REFERENCE

1.2 TABLE OF CONTENTS (Cont'd)

	PAGE
SECTIONS 16.-20. RESERVED FOR FUTURE USE	
SECTION 21. EXPANDED INTERCONNECTION (EI) SERVICE	
21.1 GENERAL	1
21.2 SERVICE DESCRIPTIONS	3
21.2.1 EXPANDED INTERCONNECTION CHANNEL TERMINATION	3
21.3 RATE TERMS AND CONDITIONS.....	4
21.3.1 TYPES OF RATES AND CHARGES	4
21.4 RATES AND CHARGES	5
21.4.1 SWITCHED ACCESS SERVICE VIRTUAL EI	5

Qwest Corporation d/b/a CenturyLink QC
Access Service
Catalog No. 1

SECTION 1
Page 13
Release 2
Effective: 7-2-13

NORTHERN IDAHO
Issued: 5-31-13

1. APPLICATION AND REFERENCE

1.3 SUBJECT INDEX

SUBJECT	SECTION
800 Data Base Access Service.....	6
900 Access Service	6
Access Order.....	5
Access Service Billing.....	12
Additional Engineering, Additional Labor and Miscellaneous Services.....	12
Additional Labor.....	12
Advance Payments.....	2
Application of Catalog.....	1
Availability For Testing.....	2
Balance.....	2
Billing	2
Billing Disputes	2
Cancellation For Cause.....	2
Cancellation of an Access Order	5
Carrier Common Line Access Service.....	3
Changes and Substitutions	2
Clear Channel Capability.....	6
Common Channel Signaling Network (CCSN).....	15
Connections	2
Credit Allowance For Service Interruptions.....	2
Definitions	2
Deposits	2
Design Change Charge	5
Design Layout Report.....	5,6
Design of Customer Services.....	2
Determination of Intrastate Charges For Mixed Interstate and Intrastate Access Service	2
Determination of Jurisdiction For Mixed Interstate and Intrastate Access Service Billing	2
Diagrams	
Meet Point Billing.....	2
Switched Access Service	6
Discontinuance of Service	5

Qwest Corporation d/b/a CenturyLink QC
Access Service
Catalog No. 1

SECTION 1
Page 14
Release 3
Effective: 7-2-13

NORTHERN IDAHO
Issued: 5-31-13

1. APPLICATION AND REFERENCE

1.3 SUBJECT INDEX (Cont'd)

SUBJECT	SECTION
Expanded Interconnection Service	21
Expedited Order Charge	5
Facilities Protection-Special Facilities Routing.....	6
Feature Groups A, B, C, D.....	6
General Regulations.....	2
Identification and Rating of VoIP-PSTN Traffic	2
Interexchange Carrier Subscription	12
Installation and Termination of Services	2
Interest Rates.....	2
Interface Groups	6
Interference or Impairment and Unlawful Use	2
Jurisdictional Reports (PIU)	2
Late Payment Charge - End User.....	2
Late Payment Penalty - Carrier.....	2
Liability.....	2,12
Limitations	2
Local Switching	6
Maintenance of Service	12
Measuring Access Minutes.....	6
Meet Point Billing.....	2
Message Unit Credit	6
Metallic Facilities	2
Mileage Measurement.....	6
Minimum Periods.....	2,5,6
Miscellaneous Services.....	12
Mixed Interstate and Intrastate Access Service	2
Moves	6
Multiple POTs Tandem Sectorization	6
Notification of Service Affecting Activities.....	2

Qwest Corporation d/b/a CenturyLink QC
Access Service
Catalog No. 1

SECTION 1
Page 15
Release 3
Effective: 7-2-13

NORTHERN IDAHO
Issued: 5-31-13

1. APPLICATION AND REFERENCE

1.3 SUBJECT INDEX (Cont'd)

SUBJECT	SECTION
Obligations of the Customer	2,3,6,12
Obligations of the Company	6
Ordering Options For Access Service	5
Ordering, Rating and Billing of Switched Access Service Provided In Conjunction with a Commercial Mobile Radio Service Provider	2
Ordering, Rating and Billing of Access Services where More than One Exchange Telephone Company is Involved (Meet Point Billing)	2
Other Labor	12
Overtime Installation	12
Partial Cancellation Charge	5
Payment Arrangements and Credit Allowances	2
Percent Interstate Use (PIU)	2
Provision and Ownership of Telephone Numbers	2
Provision of Access Service Billing Information	12
Provision of Services	2
Reestablishment of Service Following Fire, Flood or Other Occurrence	2
Reference to Technical Publications	1
Refusal and Discontinuance of Service	2
Scope	2
Service Date Change Charge	5
Service Intervals	5
Service Rearrangements	5,6
Shared Use	2,5,6
Signaling System 7 Out of Band Signaling	6
Special Construction	5
Switched Access Service	6
Switched Transport	6

1. APPLICATION AND REFERENCE

1.3 SUBJECT INDEX (Cont'd)

SUBJECT	SECTION	
Telecommunications Service Priority (TSP)	2,12	
Temporary Surrender of a Service	2	
Testing	2,6,12	(D)
Title or Ownership Rights.....	2	
Trademarks, Service Marks and Trade Names	1	
Traffic Types.....	2,6	
Transfer or Assignment of Service	2	
Undertaking of the Company	2,12	
Use	2	
Use of an Alternative Service Provided by the Company.....	2	
WATS Access Service	6	

1. APPLICATION AND REFERENCE

1.4 CATALOG FORMAT

1.4.1 LOCATION OF MATERIAL

1. Section 1 provides the following for all of the sections in this Catalog:
 - Subject Index - an alphabetical listing to find the desired section.
 - Table of Contents - A numerical listing to find the desired section and page.
2. Each individual section in the Catalog provides a Subject Index for the material located within that section.
3. Obsolete Service Offerings

Obsolete service offerings are identified in the Catalog by adding 100 to the current section number, i.e., obsolete items from Section 13., Switched Private Line Service, would be found in Section 113., Obsolete Switched Private Line Service. This section is then filed behind Section 13.

1.4.2 OUTLINE STRUCTURE

This document uses nine levels of indentations referred to as Tariff Information Management (TIM) Codes, as outlined below:

LEVEL	APPLICATION	EXAMPLE
1	Section Heading	2. GENERAL REGULATIONS
2	Sub Heading	2.5 CONNECTIONS
3	Sub Heading	2.5.1 GENERAL
4	Sub Heading/Text	A. Text
5	Sub Heading/Text	1. Text
6	Sub Heading/Text	a. Text
7	Sub Heading/Text	(1) Text
8	Sub Heading/Text	(a) Text
9	Footnotes	[1] Text

Qwest Corporation d/b/a CenturyLink QC
Access Service
Catalog No. 1

SECTION 1
Page 18
Release 3
Effective: 1-1-17

NORTHERN IDAHO
Issued: 12-15-16

1. APPLICATION AND REFERENCE

1.4 CATALOG FORMAT (Cont'd)

1.4.3 RATE TABLES

Within rate tables, four types of entries are allowed:

- Rate Amount

The rate amount indicates the dollar value associated with the service.

- A dash "-"

The dash indicates that there is no rate for the service or that a rate amount is not applicable under the specific column header.

- A footnote designator "[1]"

The footnote designator indicates that further information is contained in a footnote.

- ICB

The acronym "ICB" indicates that the product/service is rated on an individual case basis.

1.4.4 RESERVED FOR FUTURE USE

(T)

(D)

(D)

Qwest Corporation d/b/a CenturyLink QC
Access Service
Catalog No. 1

NORTHERN IDAHO
Issued: 5-31-13

SECTION 1
Page 19
Release 2
Effective: 7-2-13

Idaho Public Utilities Commission
Office of the Secretary
ACCEPTED FOR FILING (C)
July 2, 2013
Boise, Idaho

1. APPLICATION AND REFERENCE

1.5 EXPLANATION OF CHANGE SYMBOLS

SYMBOL	EXPLANATION
(C)	To signify changed regulation
(D)	To signify discontinued material
(I)	To signify rate increase
(M)	To signify material moved from or to another part of the document with no change, unless there is another change symbol present
(N)	To signify new material
(R)	To signify rate reduction
(T)	To signify a change in text but no change in rate or regulation

Qwest Corporation d/b/a CenturyLink QC
Access Service
Catalog No. 1

SECTION 1
Page 20
Release 2
Effective: 7-2-13

Idaho Public Utilities Commission
Office of the Secretary
ACCEPTED FOR FILING (C)
July 2, 2013
Boise, Idaho

NORTHERN IDAHO
Issued: 5-31-13

1. APPLICATION AND REFERENCE

1.6 EXPLANATION OF ABBREVIATIONS

ABD	- Average Business Day
ac	- Alternating current
ACAT	- Additional Cooperative Testing
AFB	- Air Force Base
AIOD	- Automatic Identification of Outward Dialing
AMA	- Automatic Message Accounting
AML	- Actual Measured Loss
ANI	- Automatic Number Identification
APP	- Application Date
ASCIC	- Access Service Customer Identification Charge
ASG	- Access Service Group
AST	- Automatic Scheduled Testing
AT	- Access Tandem
ATP	- Access Transport Parameter
AT&T	- American Telephone and Telegraph Company
BD	- Business Day
B8ZS	- Bipolar Eight Zero Substitution
BHM	- Busy Hour Minutes
BHMC	- Busy Hour Minutes of Capacity
Blvd.	- Boulevard
BP	- Billing Percentage
BSE	- Basic Service Element
CAROT	- Centralized Automatic Reporting on Trunks
CCC	- Clear Channel Capability
CCL	- Carrier Common Line
CCS	- One hundred call seconds
CCSAC	- Common Channel Signaling Access Capability
CCSN	- Channel Common Signaling Network
CFA	- Circuit Facility Assignment
C.F.R.	- Code of Federal Regulations
CI	- Channel Interface
CIC	- Carrier Identification Code
CL	- Common Line
CMRS	- Commercial Mobile Radio Service

1. APPLICATION AND REFERENCE

1.6 EXPLANATION OF ABBREVIATIONS (Cont'd)

CN	- Charge Number
Co.	- Company
CO	- Central Office
Cont'd	- Continued
CP	- Customer's Premises
CPE	- Customer Provided Equipment
CPN	- Calling Party Number
cps	- Cycles per second
CSP	- Carrier Selection Parameter
CSR	- Customer Service Records
CST	- Cooperative Scheduled Testing
CTP	- Channel Transmission Parameter
dB	- Decibel
d/b/a	- Doing Business As
dBm0 level	- Decibel reference to one milliwatt relative to zero
dBrnC	- Decibel Reference Noise C-Message Weighting
dBrnC0	- Decibel Reference Noise C-Message Weighted 0
dBv	- Decibel(s) Relative to 1 Volt (Reference)
dBvL	- Decibel(s) Relating to 1 Volt (Reference)
dc	- Direct current
D.C.	- District of Columbia
DD	- Service Date
<i>DID</i>	- Direct Inward Dialing
DLR	- Design Layout Report
DLRD	- Design Layout Report Date
DLT	- Direct Link Transport
DTMF	- Dual Tone Multifrequency
DTT	- Direct-Trunked Transport
E.	- East
EDD	- Envelope Delay Distortion
EF	- Entrance Facility
e.g.	- For example
EI	- Expanded Interconnection
EICT	- Expanded Interconnection Channel Termination
800 DB	- 800 Data Base
ELEPL	- Equal Level Echo Path Loss
EML	- Expected Measured Loss
EO	- End Office
EPL	- Echo Path Loss

Qwest Corporation d/b/a CenturyLink QC

**Exchange and Network
Services Catalog No. 1**

SECTION 1

Page 22

Release 6

SOUTHERN IDAHO
Issued: 9-20-18

Effective: 10-1-18

1. APPLICATION AND REFERENCE

1.3 SUBJECT INDEX (Cont'd)

	SECTION	
Trouble Isolation Charge	13	(N)
Two-line <i>CUSTOMCHOICE-COMplete</i>	105	
Two-line <i>POPULARCHOICE</i>	105	
Two-line <i>PREFERRECHOICE</i>	105	
Two-line <i>QWEST CHOICE</i> Business	105	
Two-line <i>QWEST CHOICE</i> Home	5	
Obsolete	105	
Two-line <i>QWEST CHOICE</i> Home Plus	5	
Two-line <i>VALUECHOICE</i>	105	
Two-Point Message Telecommunication Service	6	
Uniform Access Solution Service	15	
Uniform Call Distribution.....	109	
Universal Emergency Number Service - 911	9	
Obsolete	109	
Universal Service Fund Surcharge.....	2	
Use of Service	2	
Use of Telephone Alarm Reporting Devices	2	
<i>VALUECHOICE</i>	105	
<i>VERSANET</i> Service	109	
Voice Messaging Service.....	10	
Obsolete	110	
Voice Terminal Equipment.....	10	
WATS Terminations.....	7	
Obsolete	107	
Wide Area Telecommunications Service.....	7	
Obsolete	107	
Wide Area Telecommunications Service (WATS) Listings.....	5	

SID2018-017

1. APPLICATION AND REFERENCE

1.6 EXPLANATION OF ABBREVIATIONS (Cont'd)

Ma	-	Milliamperes
mcs	-	Microseconds
MECAB	-	Multiple Exchange Carrier Access Billing
MECOD	-	Multiple Exchange Carrier Ordering and Design
MF	-	Multifrequency
MFJ	-	Modification of Final Judgment
MHz	-	Megahertz
MOU	-	Minutes of Use
MPTS	-	Multiple POTs Tandem Sectorization
MRC	-	Monthly Recurring Charge
MST	-	Manual Scheduled Testing
MTL	-	Maximum Termination Liability
MTS	-	Message Telecommunications Service(s)
MTS/WATS	-	Message Telecommunications Service and/or Wide Area Telecommunications Service
MTSO	-	Mobile Telephone Switching Office
MUX	-	Multiplexing
N.	-	North
N/A	-	Not Applicable
NDM	-	Network Data Mover
NI	-	Network Interface
No.	-	Number
NPA	-	Numbering Plan Area
NRC	-	Nonrecurring Charge
NSEP	-	National Security Emergency Preparedness
NST	-	Nonscheduled Testing
NTS	-	Non-Traffic Sensitive
NXX	-	Three-Digit Central Office Code
OCC	-	Other Common Carrier
ONAL	-	Off Network Access Line
OTPL	-	Zero Transmission Level Point

Qwest Corporation d/b/a CenturyLink QC
Access Service
Catalog No. 1

SECTION 1
Page 24
Release 5
Effective: 7-2-13

Idaho Public Utilities Commission
Office of the Secretary
ACCEPTED FOR FILING (C)
July 2, 2013
Boise, Idaho

NORTHERN IDAHO
Issued: 5-31-13

1. APPLICATION AND REFERENCE

1.6 EXPLANATION OF ABBREVIATIONS (Cont'd)

PAL	- Public Access Line
PBX	- Private Branch Exchange
PCM	- Pulse Code Modulation
PDR	- Percent Direct Routed
PI	- Priority Installation
PIU	- Percent Interstate Use
PLTS	- Private Line Transport Service
p.m.	- Post meridiem
P.O.	- Post Office
POM	- Percent Other Messages
POT	- Point of Termination
POTS	- Plain Old Telephone Service
PR	- Priority Installation
PSP	- Payphone Service Provider
PSTN	- Public Switched Telephone Network
PTD	- Plant Test Date
PVU	- Percent VoIP Usage
RESP ORG	- Responsible Organization
rms	- root-mean-square
RR	- Reference Rated
RSM	- Remote Switching Modules
RSS	- Remote Switching Systems
S.	- South
SCP	- Service Control Point
SF	- Single Frequency
SMS/800	- Service Management System/800
SP	- Signal Point
SPOI	- Signaling Point of Interface
SRL	- Singing Return Loss
SSN	- Switched Service Network
SSP	- Service Switching Point
SS7	- Signaling System 7
STP	- Signal Transfer Point
SWC	- Serving Wire Center

Qwest Corporation d/b/a CenturyLink QC
Access Service
Catalog No. 1

SECTION 1

Page 25

Release 5

NORTHERN IDAHO
Issued: 12-15-16

Effective: 1-1-17

1. APPLICATION AND REFERENCE

1.6 EXPLANATION OF ABBREVIATIONS (Cont'd)

- TCAP - Transaction Capabilities Application Part
- TES - Telephone Exchange Service(s)
- TIM - Tariff Information Management
- TLP - Transmission Level Point
- TSP - Telecommunications Service Priority or Tandem Service Provider
- TSPS - Traffic Service Position System
- TST - Tandem Switched Transport
- U.S. - United States
- USAC - Universal Special Assembly Code
- USASCII - U.S. American Standard Code For Information Interexchange

- USWC - U S WEST Communications
- V - Vertical
- VG - Voice Grade
- V & H - Vertical & Horizontal
- VoIP - Voice over Internet Protocol
- W. - West
- WATS - Wide Area Telecommunications Service(s)

- WPM - Words-per-minute
- WSO - WATS Serving Office

(D)

Qwest Corporation d/b/a CenturyLink QC
Access Service
Catalog No. 1

SECTION 1
Page 27
Release 2
Effective: 7-2-13

Idaho Public Utilities Commission
Office of the Secretary
ACCEPTED FOR FILING (C)
July 2, 2013
Boise, Idaho

NORTHERN IDAHO
Issued: 5-31-13

1. APPLICATION AND REFERENCE

1.9 REFERENCE TO TECHNICAL PUBLICATIONS

- A. All service(s) offered in this document must conform to the transmission specification standards contained in this document or in the following Technical References.
- B. The following publications may be obtained from Bellcore, Customer Services, 8 Corporate Place, PYA-3A184, Piscataway, NJ 08854-4196:

TITLE	PUBLICATION NUMBER
LATA Switching Systems Generic Requirements (LSSGR) Issued: January, 1995	FR-64
Operator Services Systems Generic Requirements (OSSGR) Issued: January, 1992	FR-271
Transport Systems Generic Requirements (TSGR) Issued: 1992 Edition	FR-NWT-000440
Ordering and Billing Forum-Multiple Exchange Carrier Access Billing (MECAB) Issued: June 1994	SR-ILB-000983
Industry Support Interface (ISI): General Overview Issued: July 1989	SR-STIS-000284
Ordering and Billing Forum-Multiple Exchange Carrier Ordering and Design Guidelines (MECOD) Issued: June 1994	SR-TAP-000984

Qwest Corporation d/b/a CenturyLink QC
Access Service
Catalog No. 1

SECTION 1
Page 28
Release 2
Effective: 7-2-13

Idaho Public Utilities Commission
Office of the Secretary
ACCEPTED FOR FILING (C)
July 2, 2013
Boise, Idaho

NORTHERN IDAHO
Issued: 5-31-13

Effective: 7-2-13

1. APPLICATION AND REFERENCE

1.9 REFERENCE TO TECHNICAL PUBLICATIONS
B. (Cont'd)

TITLE	PUBLICATION NUMBER
Trunk Traffic Engineering Concepts And Applications Issued: December, 1989	SR-TAP-000191
Telecommunications Transmission Engineering Textbook-Volume 3: Network and Services, Third Edition Issued: August, 1989	ST-TEC-000053
Estimated Transmission Performance of Switched Access Service Feature Group-D Issued: July 1984	TR-NPL-000002
Compatibility Information for Feature Group B Switched Access Service Issued: July, 1985	TR-NPL-000175
Compatibility Information for Feature Group D Switched Access Service Issued: October, 1985	TR-NPL-000258
Voice Grade Switched Access Service - Transmission Parameter Limits and Interface Combinations Issued: June, 1994	GR-334-CORE

Qwest Corporation d/b/a CenturyLink QC
Access Service
Catalog No. 1

SECTION 1
Page 29
Release 2
Effective: 7-2-13

NORTHERN IDAHO
Issued: 5-31-13

Idaho Public Utilities Commission
Office of the Secretary
ACCEPTED FOR FILING (C)
July 2, 2013
Boise, Idaho

1. APPLICATION AND REFERENCE

1.9 REFERENCE TO TECHNICAL PUBLICATIONS
B. (Cont'd)

TITLE	PUBLICATION NUMBER
Switching System Requirements for Interexchange Carrier Interconnection Using the Integrated Services Digital Network User Part (ISDNUP) Issued: June, 1994	GR-394-CORE
Network Transmission Interface and Performance Specification Supporting Integrated Services Digital Network (ISDN) Issued: August, 1990	TR-NWT-000938
LATA Switching System Generic Requirements (LSSGR)	TR-TSY-000064
Dual-Tone Multifrequency Receiver Generic Requirements for End-to-End Signaling Over Tandem-Switched Voice Links Issued: March 1987	TR-TSY-000181
Network Interface Description for ISDN Customer Access Issued: August 1989	TR-TSY-000776

Qwest Corporation d/b/a CenturyLink QC
Access Service
Catalog No. 1

NORTHERN IDAHO
Issued: 5-31-13

SECTION 1
Page 30
Release 2
Effective: 7-2-13

Idaho Public Utilities Commission
Office of the Secretary
ACCEPTED FOR FILING (C)
July 2, 2013
Boise, Idaho

1. APPLICATION AND REFERENCE

1.9 REFERENCE TO TECHNICAL PUBLICATIONS
B. (Cont'd)

TITLE	PUBLICATION NUMBER
Common Channel Signaling (CCS) Network Interface Specification Issued: October, 1993	TR-TSV-000905
Common Channel Signaling (CCS) Network Interface Specification Supporting Alternate Billing Services (ABS) Issued: June, 1994	GR-954-CORE
Exchange Message Interface Issued: December, 1994	SR-30

Qwest Corporation d/b/a CenturyLink QC
Access Service
Catalog No. 1

SECTION 1
Page 31
Release 2
Effective: 7-2-13

NORTHERN IDAHO
Issued: 5-31-13

Idaho Public Utilities Commission
Office of the Secretary
ACCEPTED FOR FILING (C)
July 2, 2013
Boise, Idaho

1. APPLICATION AND REFERENCE

1.9 REFERENCE TO TECHNICAL PUBLICATIONS (Cont'd)

- C. The following Qwest Corporation Technical publications may be obtained from Faison Office Products Company, Customer Services, 3251 Revere Street, Suite 200, Aurora, CO 80011:

TITLE	PUBLICATION NUMBER
Qwest Corporation DS1 Service Publication Issued: August, 1993	77200
Physical and Virtual Collocation and Associated DS1 and DS3 Expanded Interconnection Channel Terminations Issued: March, 1995	77201, Issue D
Compatibility Information for 800 Service Switched Access Service Issued: May, 1986	77318
Special High Voltage Protection Issued: June, 1988	77321
Qwest Corporation DS3 Service Issued: April, 1993	77324, Issue C
Qwest Corporation, Common Channel Signaling Interconnections Issued: June, 1993	77342, Issue C
Network Channel and Network Channel Interface Combinations Issued: March, 1989	77365
1.544 Mbit/s Channel Interfaces Technical Specifications for Network Channel Interface Codes Describing Electrical Interfaces at Customer Premises and at Qwest Corporation Central Offices Issued: October, 1995	77375, Issue D

Qwest Corporation d/b/a CenturyLink QC
Access Service
Catalog No. 1

SECTION 1

Page 32

Release 3

Effective: 7-1-16

NORTHERN IDAHO

Issued: 5-20-16

Idaho Public Utilities Commission
Office of the Secretary
ACCEPTED FOR FILING
July 1, 2016
Boise, Idaho

1. APPLICATION AND REFERENCE

1.10 REFERENCE TO OTHER PUBLICATIONS

- A. The following publications are available for inspection in the Public Reference room of the Tariff Division at the main building of the Federal Communications Commission located at 1919 M Street N.W., Washington, D.C., and may be obtained from the Federal Communications Commission's commercial contractor:

TITLE

CC Docket No. 83-1145, Phase I
Memorandum Opinion and Order
(Including Appendices A, B, and C)
Adopted: May 31, 1985
Released: June 12, 1985

CC Docket No. 85-145
Memorandum Opinion and Order
Adopted: April 16, 1985

National Exchange Carrier Association, Inc.
Tariff F.C.C. No. 4

CenturyLink Operating Companies
Tariff F.C.C. No. 11

(T)
(T)

CenturyLink Operating Companies
Tariff F.C.C. No. 12

(T)
(T)

Code of Federal Regulations, Title 47

- B. The following publication may be obtained by contacting the Qwest Corporation Account Representative:

TITLE

Qwest Corporation Service Interval Guide
Issued: November, 1988

Qwest Corporation Tandem Sectorization Guide
Issued: September, 1990

Qwest Corporation d/b/a CenturyLink QC
Access Service
Catalog No. 1

NORTHERN IDAHO
Issued: 5-31-13

SECTION 1
Page 33
Release 2
Effective: 7-2-13

Idaho Public Utilities Commission
Office of the Secretary
ACCEPTED FOR FILING (C)
July 2, 2013
Boise, Idaho

1. APPLICATION AND REFERENCE

1.10 REFERENCE TO OTHER PUBLICATIONS (Cont'd)

- C. The following publications may be obtained through the Government Printing Office, Superintendent of Documents, Document Control Branch, 941 N. Capitol St. N.E., Washington, D.C. 20401:

TITLE

Part 64.401, Appendix A, of the Federal Communications Commission's Rules and Regulations, as set forth in:
Gen. Docket No. 87-505
Report and Order
Adopted: October 27, 1988

Telecommunications Service Priority (TSP) System
for National Security Emergency Preparedness (NSEP)
Service Vendor Handbook,
National Communications System (NCS) H 3-1-2
Issued: July, 1990

Telecommunications Service Priority (TSP) System
for National Security Emergency Preparedness (NSEP)
Service User Manual,
National Communications System (NCS) M 3-1-1
Issued: July, 1990

Qwest Corporation d/b/a CenturyLink QC
Access Service
Catalog No. 1

NORTHERN IDAHO
Issued: 5-31-13

SECTION 1
Page 34
Release 2
Effective: 7-2-13

Idaho Public Utilities Commission
Office of the Secretary
ACCEPTED FOR FILING (C)
July 2, 2013
Boise, Idaho

1. APPLICATION AND REFERENCE

1.10 REFERENCE TO OTHER PUBLICATIONS (Cont'd)

- D. The following publications, referenced in this document, may be obtained from the Bellcore Number Administration Service Center (NASC), LCC-3EG48, 290 West Mountain Pleasant Avenue, Livingston, NJ 07039-0486

TITLE

Guidelines for 800 Data Base, Issue 2.0
Issued: November 1992
Available: November, 1992

- E. The following publications, referenced in this document, may be obtained from Bellcore Communications Research, Customer Services, 8 Corporate Place, Piscataway, NJ 08854

TITLE

SMS/800 User Guide: 800 Service Management, Issue 10
Issued: January, 1993
Available: January, 1993

Qwest Corporation d/b/a CenturyLink QC
Access Service
Catalog No. 1

SECTION 2
Index Page 1
Release 3

NORTHERN IDAHO
Issued: 5-31-13

Effective: 7-2-13

Idaho Public Utilities Commission
Office of the Secretary
ACCEPTED FOR FILING (C)
July 2, 2013
Boise, Idaho

2. GENERAL REGULATIONS

SUBJECT	PAGE
Advance Payments.....	31
Availability for Testing.....	9
Balance.....	9
Billing Disputes	33
Cancellation for Cause.....	36
Cancellation of an Order For Service	36
Commercial Mobile Radio Service.....	49
Connections	50
Credit Allowance for Service Interruptions.....	36
Definitions	51
Deposits	30
Design of Customer Services.....	9
Determination of the Customer of Record When Switched Access Service Connects to Expanded Interconnection Service	28
Determination of the Customer of Record When Switched Access Service Utilizes Tandem Signaling Information	29
Determination of Intrastate Charges for Mixed Interstate and Intrastate Access Service	27
Determination of Jurisdiction for Mixed Interstate and Intrastate Access Service Billing	28
Diagrams Meet Point Billing.....	47
Expanded Interconnection Channel Termination	82
Identification and Rating of VoIP-PSTN Traffic	26.1
Installation and Termination of Services	4
Interest Rates Billing Disputes in Favor of Customer	34
Deposits Paid by Customer.....	30
Late Payment Factor	33
Interference or Impairment and Unlawful Use	7

Qwest Corporation d/b/a CenturyLink QC
Access Service
Catalog No. 1

SECTION 2
Index Page 2
Release 2

NORTHERN IDAHO
Issued: 5-31-13

Effective: 7-2-13

Idaho Public Utilities Commission
Office of the Secretary
ACCEPTED FOR FILING (C)
July 2, 2013
Boise, Idaho

2. GENERAL REGULATIONS

SUBJECT	PAGE
Jurisdictional Report Requirements	11
Liability.....	2
Limitation of Use of Metallic Facilities.....	6
Limitations	1
Maintaining Services	5
Meet Point Billing.....	41
Minimum Periods	35
Notification of Service-Affecting Activities.....	6
Obligations of the Customer	8
Claims and Demands for Damages	10
Coordination With Respect to Network Contingencies	10
Damages	8
Equipment Space and Power	8
Ownership of Facilities	8
Ordering, Rating and Billing of Access Services	
Where More Than One Exchange Telephone	
Company is Involved (Meet Point Billing).....	41
Ordering, Rating and Billing of Switched Access Service	
Provided in Conjunction with a Commercial Mobile	
Radio Service Provider	49

Qwest Corporation d/b/a CenturyLink QC
Access Service
Catalog No. 1

SECTION 2
Index Page 3
Release 2

NORTHERN IDAHO
Issued: 5-31-13

Effective: 7-2-13

Idaho Public Utilities Commission
Office of the Secretary
ACCEPTED FOR FILING (C)
July 2, 2013
Boise, Idaho

2. GENERAL REGULATIONS

SUBJECT	PAGE
Payment Arrangements and Credit Allowances	30
Payment of Rates, Charges and Deposits	30
Percent Interstate Use (PIU)	11
PLTS and Switched Access Service	80
PLTS and Switched Access Service Provisioned With an Optical Interface	83
Provision and Ownership of Telephone Numbers	6
Provision of Services	4
Reestablishment of Service Following Fire, Flood or Other Occurrences	40
References to the Company	9
Refusal and Discontinuance of Service	5
Scope	1
Shared Use Regulations	79
Switched Access Service	22
Switched DS3 Facility And CCSAC Service	82
Telecommunications Service Priority (TSP)	2
Telephone Numbers, Provision and Ownership of	6
Temporary Surrender of a Service	39
Testing For Maintenance Purposes	9
Title or Ownership Rights	40
Undertaking of the Company	1
Changes and Substitutions	5
Coordination With Respect to Network Contingencies	6
Installation and Termination of Services	4
Use	7
Use of an Alternative Service Provided by the Company	39

2. GENERAL REGULATIONS

2.1 UNDERTAKING OF THE COMPANY

2.1.1 SCOPE

- A. The Company does not undertake to transmit messages under this document.
- B. The Company shall be responsible only for the installation, operation and maintenance of the services which it provides.
- C. The Company will, for maintenance purposes, test its services only to the extent necessary to detect and/or clear troubles.
- D. Services are provided 24 hours daily, seven days per week, except as set forth in other applicable sections of this document.
- E. The Company does not warrant that its facilities and services meet standards other than those set forth in this document and associated Technical Publications.

2.1.2 LIMITATIONS

- A. The customer may not assign or transfer the use of services provided under this document; however, where there is no interruption of use or relocation of the services, such assignment or transfer may be made to:
 - 1. Another customer, whether an individual, partnership, association or corporation, provided the assignee or transferee assumes all outstanding indebtedness for such services, and the unexpired portion of the minimum period and the termination liability applicable to such services, if any; or
 - 2. A court-appointed receiver, trustee or other person acting pursuant to law in bankruptcy, receivership, reorganization, insolvency, liquidation or other similar proceedings, provided the assignee or transferee assumes the unexpired portion of the minimum period and the termination liability applicable to such services, if any.
- B. In all cases of assignment or transfer, the written acknowledgment of the Company is required prior to such assignment or transfer to which acknowledgment shall be made within 15 days from the receipt of notification. All regulations and conditions contained in this document shall apply to such assignee or transferee.

Qwest Corporation d/b/a CenturyLink QC
Access Service
Catalog No. 1

SECTION 2
Page 2
Release 2
Effective: 7-2-13

NORTHERN IDAHO
Issued: 5-31-13

2. GENERAL REGULATIONS

2.1 UNDERTAKING OF THE COMPANY
2.1.2 LIMITATIONS (Cont'd)

- C. The assignment or transfer of services does not relieve or discharge the assignor or transferor from remaining jointly or severally liable with the assignee or transferee for any obligations existing at the time of the assignment or transfer.
- D. The assignor or transferor and the assignee or transferee will be required to sign a Transfer of Use Agreement assuming all outstanding indebtedness as set forth in A.1., preceding. In all cases where there is no interruption of use or relocation of the services (i.e., change in Carrier Identification Code (CIC) or any other technical and or physical change to the service), administrative changes will be made without charge(s).
- E. The installation and restoration of services shall be subject to the regulations set forth in Section 12, following, concerning the Telecommunications Service Priority (TSP) System.
- F. Subject to compliance with the rules mentioned in D., preceding, the services offered herein will be provided to customers on a first-come, first-served basis.

2.1.3 LIABILITY

- A. The Company's liability, if any, for its willful misconduct is not limited by this document. With respect to any other claim or suit, by a customer or by any others, for damages associated with the installation, provision, preemption, termination, maintenance, repair or restoration of service, including presubscription, and subject to the provisions of B. through G., following, the Company's liability, except as set forth in 12.3.7, following, if any, shall not exceed an amount equal to the proportionate charge for the service for the period during which the service was affected. This liability for damages shall be in addition to any amounts that may otherwise be due the customer under this document as a Credit Allowance for a Service Interruption.

Qwest Corporation d/b/a CenturyLink QC
Access Service
Catalog No. 1

NORTHERN IDAHO
Issued: 5-31-13

SECTION 2
Page 3
Release 2
Effective: 7-2-13

Idaho Public Utilities Commission
Office of the Secretary
ACCEPTED FOR FILING (C)
July 2, 2013
Boise, Idaho

2. GENERAL REGULATIONS

2.1 UNDERTAKING OF THE COMPANY
2.1.3 LIABILITY (Cont'd)

- B. The Company shall not be liable for any act or omission of any other carrier or customer providing a portion of a service, nor shall the Company for its own act or omission hold liable any other carrier or customer providing a portion of a service.
- C. The Company is not liable for damages to the customer's premises resulting from the furnishing of a service, including the installation and removal of equipment and associated wiring, unless the damage is caused by the Company's negligence.
- D. The Company shall be indemnified, defended and held harmless by the customer against any claim, loss or damage arising from the customer's use of services offered under this document, involving:
 - 1. Claims for libel, slander, invasion of privacy, or infringement of copyright arising from the customer's own communications;
 - 2. Claims for patent infringement arising from the customer's acts combining or using the service furnished by the Company in connection with facilities or equipment furnished by the customer or;
 - 3. All other claims arising out of any act or omission of the customer in the course of using services provided pursuant to this document.
- E. The Company does not guarantee or make any warranty with respect to its services when used in an explosive atmosphere. The Company shall be indemnified, defended and held harmless by the customer from any and all claims by any person relating to such customer's use of services so provided.

Qwest Corporation d/b/a CenturyLink QC
Access Service
Catalog No. 1

NORTHERN IDAHO
Issued: 5-31-13

SECTION 2
Page 4
Release 2
Effective: 7-2-13

Idaho Public Utilities Commission
Office of the Secretary
ACCEPTED FOR FILING (C)
July 2, 2013
Boise, Idaho

2. GENERAL REGULATIONS

2.1 UNDERTAKING OF THE COMPANY
2.1.3 LIABILITY (Cont'd)

- F. No license under patents (other than the limited license to use) is granted by the Company or shall be implied or arise by estoppel, with respect to any service offered under this document. The Company will defend the customer against claims of patent infringement arising solely from the use by the customer of services offered under this document and will indemnify such customer for any damages awarded based solely on such claims.
- G. The Company's failure to provide or maintain services under this document shall be excused by labor difficulties, governmental orders, civil commotions, criminal actions taken against the Company, acts of God and other circumstances beyond the Company's reasonable control, subject to the Credit Allowance for Service Interruptions as set forth in 2.4.5, following.

2.1.4 PROVISION OF SERVICES

- A. The Company, to the extent that such services are or can be made available with reasonable effort, and after provision has been made for the Company's telephone exchange services, will provide to the customer upon reasonable notice services offered in other applicable sections of this document at rates and charges specified therein.
- B. On a given private line, all the facilities shall be provided by the Company or by the Company and the connecting companies. The customer, or an authorized user, will provide his own terminal equipment or communications systems for use with such service.

2.1.5 INSTALLATION AND TERMINATION OF SERVICES

The Access Services provided under this document (A) includes Company communication facilities up to the Demarcation Point as defined in Section 68.3 of the F.C.C.'s Rules and Regulations and (B) will be installed by the Company to such Point of Termination (POT). Any customer requested work past the POT will be furnished on a time and material basis.

Qwest Corporation d/b/a CenturyLink QC
Access Service
Catalog No. 1

SECTION 2
Page 5
Release 2
Effective: 7-2-13

NORTHERN IDAHO
Issued: 5-31-13

2. GENERAL REGULATIONS

2.1 UNDERTAKING OF THE COMPANY (Cont'd)

2.1.6 MAINTAINING SERVICES

The services provided under this document shall be maintained by the Company. The customer or others may not rearrange, move, disconnect, remove or attempt to repair any facilities provided by the Company, other than by connection or disconnection to any POT used, except with the written consent of the Company.

2.1.7 CHANGES AND SUBSTITUTIONS

Except as provided for equipment and systems subject to F.C.C.'s Part 68 Regulations at 47 C.F.R. Section 68.110(b), the Company may, where such action is reasonably required in the operation of its business, (A) substitute, change or rearrange any facilities used in providing service under this document, including but not limited to, (1) substitution of different metallic facilities, (2) substitution of carrier or derived facilities for metallic facilities used to provide other than metallic facilities and (3) substitution of metallic facilities for carrier or derived facilities used to provide other than metallic facilities, (B) change minimum protection criteria, (C) change operating or maintenance characteristics of facilities or (D) change operations or procedures of the Company.

In case of any such substitution, change or rearrangement, the transmission parameters will be within the range as set forth in this document and associated Technical Publications. The Company shall not be responsible if any such substitution, change or rearrangement renders any customer furnished services obsolete or requires modification or alteration thereof or otherwise affects their use or performance. If such substitution, change or rearrangement materially affects the operating characteristics of the facility, the Company will provide reasonable notification to the customer in writing. Reasonable time will be allowed for any redesign and implementation required by the change in operating characteristics. The Company will work cooperatively with the customer to determine reasonable notification requirements.

2.1.8 REFUSAL AND DISCONTINUANCE OF SERVICE

Provisions for the refusal and discontinuance of service are set forth in 2.4.4, following.

2. GENERAL REGULATIONS - CONDITIONS OF OFFERING

2.1 DEFINITION OF TERMS (Cont'd)

Local Service Area or Extended Local Service Area

That area throughout which an exchange service customer, at a given rate, may make calls without the payment of a toll charge. A local service area may be made up of one or more exchange areas.

Maintenance of Service

Maintenance of Service denotes an occurrence of a visit to a customer's premises in connection with a service difficulty when it is determined that the difficulty is due to a condition in customer-provided facilities, terminal equipment, a communication system or for customer-maintained premises wire.

(D)
(D)

Measured Rate Service

The type of exchange service provided at a monthly rate with additional usage charge for each local message based on distance, time of day, duration and frequency.

Message Rate Service

The type of exchange service provided at a monthly rate with an additional charge for each local message.

Message Unit

A unit of measurement used in charging for local message rated calls.

Minimum Point of Entry

The closest practicable point to where telephone facilities cross a property line or enter a building.

Qwest Corporation d/b/a CenturyLink QC
Access Service
Catalog No. 1

NORTHERN IDAHO
Issued: 5-31-13

SECTION 2
Page 7
Release 2
Effective: 7-2-13

Idaho Public Utilities Commission
Office of the Secretary
ACCEPTED FOR FILING (C)
July 2, 2013
Boise, Idaho

2. GENERAL REGULATIONS

2.2 USE

2.2.1 INTERFERENCE OR IMPAIRMENT AND UNLAWFUL USE

- A. The characteristics and methods of operation of any circuits, facilities or equipment provided by other than the Company and associated with the facilities utilized to provide services under this document shall not interfere with or impair service over any facilities of the Company, its affiliated companies, or its connecting and concurring carriers involved in its services, cause damage to their plant, impair the privacy of any communications carried over their facilities or create hazards to the employees of any of them or the public.
- B. Except as provided for equipment or systems subject to the F.C.C.'s Part 68 Rules in 47 C.F.R. Section 68.108, if such characteristics or methods of operation are not in accordance with A., preceding, the Company will, where practicable, notify the customer that temporary discontinuance of the use of a service may be required; however, where prior notice is not practicable, nothing contained herein shall be deemed to preclude the Company's right to discontinue temporarily the use of a service if such action is reasonable under the circumstances. In case of such temporary discontinuance, the customer will be promptly notified and afforded the opportunity to correct the condition which gave rise to the temporary discontinuance. During such period of temporary discontinuance, Credit Allowance For Service Interruptions as set forth in 2.4.5, following, is not applicable.
- C. The services provided under this document shall not be used for any unlawful purpose.

Qwest Corporation d/b/a CenturyLink QC
Access Service
Catalog No. 1

SECTION 2
Page 8
Release 2
Effective: 7-2-13

NORTHERN IDAHO
Issued: 5-31-13

2. GENERAL REGULATIONS

2.3 OBLIGATIONS OF THE CUSTOMER

2.3.1 DAMAGES

The customer shall reimburse the Company for damages to Company facilities utilized to provide services under this document caused by the negligence or willful act of the customer, or resulting from the customer's improper use of the Company facilities, or due to malfunction of any facilities or equipment provided by other than the Company. Nothing in the foregoing provision shall be interpreted to hold one customer liable for another customer's actions. The Company will, upon reimbursement for damages, cooperate with the customer in prosecuting a claim against the person causing such damage and the customer shall be subrogated to the right of recovery by the Company for the damages to the extent of such payment.

2.3.2 OWNERSHIP OF FACILITIES

Facilities utilized by the Company to provide service under the provisions of this document shall remain the property of the Company. Such facilities shall be returned to the Company by the customer, whenever requested, within a reasonable period following the request in as good condition as reasonable wear will permit.

2.3.3 EQUIPMENT SPACE AND POWER

The customer shall furnish or arrange to have furnished to the Company, at no charge, equipment space and electrical power required by the Company to provide services under this document at the POT of such services. The selection of ac or dc power shall be mutually agreed to by the customer and the Company. The customer shall also make necessary arrangements in order that the Company will have access to such spaces at reasonable times for installing, testing, inspecting, repairing or removing Company services.

2. GENERAL REGULATIONS

2.3 OBLIGATIONS OF THE CUSTOMER (Cont'd)

2.3.4 AVAILABILITY FOR TESTING

The services provided under this document shall be available to the Company at times mutually agreed upon in order to permit the Company to make tests and adjustments appropriate for maintaining the services in satisfactory operating condition. Such tests and adjustments shall be completed within a reasonable time. No credit will be allowed for any interruptions involved during such tests and adjustments.

2.3.5 BALANCE

All signals for transmission over the services provided under this document shall be delivered by the customer balanced to ground except for ground start, duplex (DX).

2.3.6 DESIGN OF CUSTOMER SERVICES

- A. Subject to the provisions of 2.1.7, preceding, the customer shall be solely responsible, at its own expense, for the overall design of its services and for any redesigning or rearrangement of its services which may be required because of changes in facilities, operations or procedures of the Company, minimum protection criteria or operating or maintenance characteristics of the facilities.
- B. Services entering high voltage environments require special high voltage protection equipment. Prior to ordering any services entering this type of environment, refer to 12.3.6, following.

2.3.7 REFERENCES TO THE COMPANY

The customer may advise their end users that certain services are provided by the Company in connection with the service the customer furnishes to their end users; however, the customer shall not represent that the Company jointly participates in these services.

Qwest Corporation d/b/a CenturyLink QC
Access Service
Catalog No. 1

SECTION 2
Page 10
Release 2
Effective: 7-2-13

NORTHERN IDAHO
Issued: 5-31-13

2. GENERAL REGULATIONS

2.3 OBLIGATIONS OF THE CUSTOMER (Cont'd)

2.3.8 CLAIMS AND DEMANDS FOR DAMAGES

- A. With respect to claims of patent infringement made by third persons, the customer shall defend, indemnify, protect and save harmless the Company from and against all claims arising out of the combining with, or use in connection with, the services provided under this document, any circuit, apparatus, system or method provided by the customer.
- B. The customer shall defend, indemnify and save harmless the Company from and against any suits, claims, losses or damages, including punitive damages, attorney fees and court costs by third persons arising out of the construction, installation, operation, maintenance, or removal of the customer's circuits, facilities, or equipment connected to the Company's services provided under this document. Included, without limitation, are Workmen's Compensation claims, actions for infringement of copyright and/or unauthorized use of program material. Also included without limitation are libel and slander actions based on the content of communications transmitted over the customer's circuits, facilities or equipment. In addition, proceedings to recover taxes, fines, or penalties for failure of the customer to obtain or maintain in effect any necessary certificates, permits, licenses, or other authority to acquire or operate the services provided under this document shall be included in the indemnification. However, the foregoing indemnification shall not apply to suits, claims, and demands to recover damages for damage to property, death, or personal injury unless such suits, claims or demands are based on the tortious conduct of the customer, its officers, agents or employees.
- C. The customer shall defend, indemnify and save harmless the Company from and against any suits, claims, losses or damages, including punitive damages, attorney fees and court costs by the customer or third parties arising out of any act or omission of the customer in the course of using services provided under this document.

2.3.9 COORDINATION WITH RESPECT TO NETWORK CONTINGENCIES

The customer shall, in cooperation with the Company, coordinate in planning the actions to be taken to maintain maximum network capability following natural or man-made disasters which affect telecommunications services.

2. GENERAL REGULATIONS

2.3 OBLIGATIONS OF THE CUSTOMER (Cont'd)

2.3.10 JURISDICTIONAL REPORT REQUIREMENTS

A. Jurisdictional Determinant

Pursuant to Federal Communications Commission order F.C.C. 85-145 adopted April 16, 1985, interstate usage is to be developed as though every call that enters a customer network at a point within the same state as that in which the called station (as designated by the called station number) is situated is an intrastate communication and every call for which the point of entry is in a state other than that where the called station (as designated by the called station number) is situated is an interstate communication.

For purposes of CCSAC ISUP Call Set-up requests, Percent Other Messages (POM) shall be established by dividing the customer CCSAC ISUP Call Set-up requests (originating and terminating) associated with local, EAS, intraMTA, the Local Exchange Company portion of jointly provided Switched Access and Company originated toll by the total number of CCSAC ISUP Call Set-up requests (originating and terminating) and expressing the result as a percentage in a whole number.

When mixed interstate and intrastate Access Service is provided on the same Access Service transmission path, all charges between interstate and intrastate are prorated as set forth in 2.3.11, following.

A floor of 5% will be set for a switched access customer's Feature Group D terminating access minutes when they are lacking originating number information needed to determine jurisdiction. The 5% floor will be applied as follows:

- When the percentage of terminating traffic without sufficient call detail to determine jurisdiction does not exceed the 5% floor, the Company will apply the PIU factor as set forth in B.2.c, following or
- When the percentage of terminating traffic without sufficient call detail to determine jurisdiction exceeds the 5% floor, the Company will assess rates from the state jurisdiction on all minutes exceeding the 5% floor.

Qwest Corporation d/b/a CenturyLink QC
Access Service
Catalog No. 1

SECTION 2
Page 11.1
Release 2
Effective: 7-2-13

NORTHERN IDAHO
Issued: 5-31-13

2. GENERAL REGULATIONS

2.3 OBLIGATIONS OF THE CUSTOMER

2.3.10 JURISDICTIONAL REPORT REQUIREMENTS (Cont'd)

B. Jurisdictional Requirements

The customer must indicate a projected Percent of Interstate Use (PIU) factor in a whole number (i.e., a number 0 - 100) when ordering Switched Access Service in a LATA, including EF and DTT Facilities. When a customer-provided PIU factor is required and the customer has previously submitted a Jurisdictional Report (i.e., Letter on File [LOF]) as set forth in C., following, the LOF PIU factor is required on each Access Service Request (ASR).

For CCSAC, customers who are third party signaling providers must develop their jurisdictional factors based upon the weighted average of the jurisdictional factors of their customers.

Qwest Corporation d/b/a CenturyLink QC
Access Service
Catalog No. 1

SECTION 2

Page 12

Release 3

Effective: 7-1-16

NORTHERN IDAHO

Issued: 5-20-16

Idaho Public Utilities Commission

Office of the Secretary

ACCEPTED FOR FILING

July 1, 2016

Boise, Idaho

2. GENERAL REGULATIONS

2.3 OBLIGATIONS OF THE CUSTOMER

2.3.10 JURISDICTIONAL REPORT REQUIREMENTS

B. Jurisdictional Requirements (Cont'd)

1. Feature Group A or Feature Group B Service

a. Feature Group A (FGA) to be Resold

Upon ordering FGA Service to be resold, the customer shall state in its initial order a projected PIU factor as set forth in B., preceding. The PIU factor is reported by State. When the customer reports a State-level PIU factor, the specified percentage applies to all end offices within the State.

(C)
(C)

The projected PIU factor is used by the Company to apportion the originating and terminating usage between interstate and intrastate until a revised report is received as set forth in C., following. The number of access minutes (either the measured minutes or the assumed minutes) is multiplied by the projected PIU factor to develop the interstate access minutes. The number of access minutes minus the developed interstate access minutes is the developed intrastate access minutes. This PIU factor is in addition to the PIU factor as set forth in 3., following.

b. Feature Group A (FGA) Not to be Resold

For FGA Service not to be resold, the customer shall state in its initial order a projected PIU factor of zero percent (0%) by lineside termination or access service group.

c. Feature Group B (FGB) Service

Upon ordering FGB Service, the customer shall state in its initial order a projected PIU factor as set forth in B., preceding. The PIU factor is reported by State. When the customer reports a State-level PIU factor, the specified percentage applies to all end offices within the State.

(C)
(C)

The projected PIU factor for FGB Service used by the Company to apportion the originating and terminating usage between interstate and intrastate is developed in the same manner as in a., preceding. This PIU factor is in addition to the PIU factor as set forth in 3., following.

Qwest Corporation d/b/a CenturyLink QC
Access Service
Catalog No. 1

SECTION 2

Page 13

Release 3

Effective: 7-1-16

NORTHERN IDAHO

Issued: 5-20-16

Idaho Public Utilities Commission

Office of the Secretary

ACCEPTED FOR FILING

July 1, 2016

Boise, Idaho

2. GENERAL REGULATIONS

2.3 OBLIGATIONS OF THE CUSTOMER

2.3.10 JURISDICTIONAL REPORT REQUIREMENTS

B. Jurisdictional Requirements (Cont'd)

2. Feature Group C (FGC) or Feature Group D (FGD) Service

a. Originating FGC or FGD Service

When a customer orders FGC or FGD Switched Access Service(s), where the jurisdiction is determined from the call detail, the Company will develop the projected PIU factor according to such jurisdiction. The projected interstate percentage is developed on a monthly basis, by end office, when the originating FGC or FGD access minutes are measured, by dividing the measured interstate originating access minutes by the total originating access minutes.

b. Terminating FGC Service

When a customer orders terminating FGC Switched Access Service, the data used by the Company to develop the projected PIU factor for originating FGC access minutes is used to develop the projected PIU factor for such terminating access minutes. When originating call details are insufficient to determine the jurisdiction for the call, the customer may supply the projected PIU factor by State[1] or authorize the Company to use the Company developed percentage for such call detail. The Company will designate the number obtained by subtracting the projected PIU factor for originating and terminating access minutes calculated by the Company from 100 (100 - Company calculated projected interstate percentage = intrastate percentage) as the intrastate percentage of use.

(C)

[1] When the customer reports a State-level PIU factor, the specified percentage applies to all end offices within the State.

(C)

(C)

Qwest Corporation d/b/a CenturyLink QC
Access Service
Catalog No. 1

SECTION 2

Page 14

Release 4

Effective: 7-1-16

NORTHERN IDAHO

Issued: 5-20-16

Idaho Public Utilities Commission

Office of the Secretary

ACCEPTED FOR FILING

July 1, 2016

Boise, Idaho

2. GENERAL REGULATIONS

2.3 OBLIGATIONS OF THE CUSTOMER

2.3.10 JURISDICTIONAL REPORT REQUIREMENTS

B.2. (Cont'd)

c. Terminating FGD Service

When a customer orders terminating FGD, if the Company has sufficient call details to determine the jurisdiction for the call, the Company will bill the call minutes of use according to that jurisdiction.

When terminating call details are insufficient to determine the jurisdiction for the call, see A, preceding, the customer may supply the projected PIU factor for a portion of the indeterminate jurisdiction by State[1]. The projected PIU factor will be used to apportion the terminating traffic which does not exceed the 5% floor. (C)

When terminating call details are insufficient to determine the jurisdiction, and the customer does not supply a projected PIU factor by State, calls will be billed using a PIU of 50 (50% interstate – 50% intrastate). The PIU of 50 will be used to apportion the terminating traffic which does not exceed the 5% floor. (C)

In the event that the Company applies the intrastate terminating access rate to calls without sufficient call detail as provided in this tariff, the customer will have the opportunity to request backup documentation regarding the Company's basis for such application, and further request that the Company change the application of the intrastate access rate upon a showing of why the intrastate rate should not be applied. (See also Section 2.4.1.C.4, billing disputes.)

[1] When the customer reports a State-level PIU factor, the specified percentage applies to all end offices within the State. (C)
(C)

Qwest Corporation d/b/a CenturyLink QC
Access Service
Catalog No. 1

SECTION 2

Page 15

Release 3

Effective: 7-1-16

Idaho Public Utilities Commission
Office of the Secretary
ACCEPTED FOR FILING
July 1, 2016
Boise, Idaho

NORTHERN IDAHO

Issued: 5-20-16

2. GENERAL REGULATIONS

2.3 OBLIGATIONS OF THE CUSTOMER

2.3.10 JURISDICTIONAL REPORT REQUIREMENTS

B.2.c. (Cont'd)

For terminating FGD access minutes via a DTT facility equipped with Tandem Signaling Information (TSI), the customer of record will provide the Company with a projected PIU factor in a whole number (a number 0-100) by Company end office within the State. The projected PIU factor supplied by the customer will be used by the Company to apportion the terminating usage between interstate and intrastate. If the customer does not supply the Company with a projected PIU factor when the terminating FGD service is ordered or subsequent to the initial order, the Company will apply a default factor of fifty percent (50%) by end office until a report is received as set forth in C., following. (C)

3. Entrance Facility (EF) and Direct-Trunked Transport (DTT) Facility (Excludes Voice Grade (VG) EF and DTT for Feature Group A)

For EF and DTT facilities, the customer has the following jurisdiction options; 1) allow the Company to develop the projected State-level PIU factor using a mechanized program as set forth in a., following or 2) provide the Company with a projected State-level PIU factor via a quarterly jurisdictional report as set forth in b., following. (C)

Customers initially ordering Switched Access Services in the LATA for the first time, shall provide on the access order a State-level PIU factor for new EF and DTT facilities based on all the originating and terminating traffic using such facilities. The Company will use the State-level PIU factor from the customer's initial order for service as the State-level PIU factor for the Company's mechanized program for the first quarter of new service only. After the first quarter of new service, the Company will develop the State-level PIU factor as described in a., following until the Company receives a certified letter from the customer authorizing the Company to develop the projected PIU factor from a customer-provided report as set forth in b., following. (C)

a. Company-Developed EF and DTT PIU Factor

The Company-developed State-level PIU factors for EF and DTT facilities are updated on a quarterly basis by calculating the customer's average billed Interstate usage (excluding VG EF and DTT facilities for FGA) for the last three months. The Company will perform the calculation for the revised State-level PIU factor no later than the last business day in January, April, July and October, respectively. The Company-developed State-level PIU factor will serve as the basis for the customer's next three months' advance billing beginning in February, May, August and November, respectively. (C)

Qwest Corporation d/b/a CenturyLink QC
Access Service
Catalog No. 1

SECTION 2
Page 16
Release 3
Effective: 7-1-16

Idaho Public Utilities Commission
Office of the Secretary
ACCEPTED FOR FILING
July 1, 2016
Boise, Idaho

NORTHERN IDAHO
Issued: 5-20-16

2. GENERAL REGULATIONS

2.3 OBLIGATIONS OF THE CUSTOMER

2.3.10 JURISDICTIONAL REPORT REQUIREMENTS

B.3.a. (Cont'd)

When existing customers order additional EF and DTT facilities for Switched Access Service, the Company will determine the State-level PIU factor where jurisdiction can be determined from previously billed usage. The PIU factor is based on the average billed Switched Access Interstate usage (excluding VG EF and DTT facilities for FGA) per State, per customer on a quarterly basis. When the Company is unable to determine the State-level PIU factor for EF and DTT facilities for an existing customer because usage data is not being billed to that customer, the Company will apply a default PIU factor of fifty percent (50%). (C)

The PIU factor is expressed as a whole number (i.e., a number 0 - 100). The PIU factor is used by the Company to determine interstate and intrastate rates and charges. The PIU factor is applied to all rate elements associated with EF and DTT facilities. This PIU factor is in addition to the PIU factors as set forth in 1. and 2., preceding. (C)

b. Customer-Provided EF and DTT PIU Factor

Customers who choose to provide a projected State-level PIU factor for EF and DTT facilities, shall notify the Company by letter (certified U.S. Mail return receipt requested) authorizing the Company to develop the projected State-level PIU factor from a customer-provided quarterly report. Customer's choosing to provide a projected State-level PIU factor shall base the PIU factor on all the originating and terminating traffic using the EF and DTT facilities in the State. The customer-provided jurisdictional report must be received by the Company no later than fourteen (14) days after the first of January, April, July and October in order for the customer-provided PIU factor to serve as the basis for the next three month's advance billing beginning in February, May, August and November, respectively. The Company will program the customer-provided revised PIU factor into the Company's billing data base no later than the last business day in January, April, July and October, respectively. If the customer does not provide the jurisdictional report in time for the Company to program the billing data base, the Company will continue to develop a State-level PIU factor for the quarter as the Company's billing data base can only be programmed with one PIU process at a time in the same quarter. (C)

Qwest Corporation d/b/a CenturyLink QC
Access Service
Catalog No. 1

SECTION 2
Page 17
Release 3
Effective: 7-1-16

NORTHERN IDAHO
Issued: 5-20-16

Idaho Public Utilities Commission
Office of the Secretary
ACCEPTED FOR FILING
July 1, 2016
Boise, Idaho

2. GENERAL REGULATIONS

2.3 OBLIGATIONS OF THE CUSTOMER

2.3.10 JURISDICTIONAL REPORT REQUIREMENTS

B.3.b. (Cont'd)

For existing customers who provide a quarterly report and the report is not received by the Company in time for the Company to program the revised State-level PIU factor for EF and DTT facilities in the State, the Company will assume the EF and DTT PIU factors to be the same as those provided in the last quarterly report and follow the steps as set forth in C., following.

(C)
(C)

Customers who choose to provide a projected State-level PIU factor for EF and DTT facilities shall supply a percentage in a whole number (i.e., a number 0-100) by State. The PIU factor is used by the Company to determine interstate and intrastate rates and charges. The PIU factor is applied to all rate elements associated with EF and DTT facilities. This PIU factor is in addition to the PIU factors as set forth in 1. and 2., preceding.

(C)
(C)

Customers may request to change from a quarterly customer-provided State-level PIU factor to a Company-developed State-level PIU factor for their EF and DTT facilities in the State. The customer must notify the Company (by certified U. S. Mail return receipt requested) no later than fourteen (14) days after the first of January, April, July and October in order for the Company-developed State-level PIU factor as set forth in a., preceding to serve as the basis for the next three months' advance billing beginning in February, May, August and November, respectively. The Company will program the PIU factor into the Company's billing data base no later than the last business day of January, April, July and October for the advance quarterly billing beginning in February, May, August and November, respectively. If the customer does not notify the Company in time for the Company to program the billing data base with the Company-developed State-level PIU factor, the customer must continue to provide a quarterly jurisdictional report for the quarter as the Company's billing data base can only be programmed with one PIU process at a time in the same quarter.

(C)
|
(C)
(C)

(C)

2. GENERAL REGULATIONS

2.3 OBLIGATIONS OF THE CUSTOMER

2.3.10 JURISDICTIONAL REPORT REQUIREMENTS

B.3. (Cont'd)

- c. Voice Grade (VG) EF and DTT facilities for Feature Group A (FGA) to be Resold

Customers initially ordering a VG EF and a DTT facility for FGA to be resold shall provide a projected PIU factor for each new facility. These PIU factors shall reflect all originating and terminating traffic using these facilities and are in addition to the PIU factors as set forth in 1.a., preceding.

The PIU factor for the VG EF and DTT facility will be applied to all rate elements associated with the EF and DTT facility.

The PIU factor is expressed as a whole number (i.e., a number 0 - 100). The PIU factor will be used by the Company to determine interstate and intrastate rates and charges. If the customer does not provide the Company a Switched Access PIU factor for an EF or DTT facility, the Company will apply a default PIU factor of fifty percent (50%).

The PIU factor will be used by the Company until a revised PIU factor is reported as set forth in C., following. A Switched Access State-level PIU factor shall be provided for all VG EF and for all DTT facilities provided within a State for Feature Group A for the revised reports. These PIU factors will account for both the originating and terminating traffic of all services using these facilities within the State.

(C)
(C)
(C)

- d. Voice Grade (VG) EF and DTT facilities for Feature Group A (FGA) not to be Resold

Customers initially ordering a VG EF and a DTT facility for FGA not to be resold shall state a projected PIU factor of zero percent (0%) for each facility. This PIU factor is in addition to the PIU factor as set forth in 1.c., preceding.

4. Tandem-Switched Transport

For Tandem-Switched Transport, rates and charges will be apportioned by the Company between interstate and intrastate based upon the PIU factor for the serving arrangement (Feature Group), as set forth in 1. and 2., preceding.

Qwest Corporation d/b/a CenturyLink QC
Access Service
Catalog No. 1

SECTION 2
Page 19
Release 3
Effective: 7-2-13

NORTHERN IDAHO
Issued: 5-31-13

2. GENERAL REGULATIONS

2.3 OBLIGATIONS OF THE CUSTOMER
2.3.10 JURISDICTIONAL REPORT REQUIREMENTS
B. Jurisdictional Requirements (Cont'd)

5. CCSAC

When a customer initially orders CCSAC Service in a LATA, the customer shall state in its order a PIU factor in a whole number (i.e., a number of 0 - 100). The customer shall also state in its order a POM factor in a whole number (i.e., a number of 0 - 100). Other messages are defined as ISUP Call Set-up requests associated with local, Extended Area Service (EAS) and intraMTA, the Local Exchange Company portion of jointly provided Switched Access and Company originated toll calling.

Upon request from the customer, the Company will provide to the customer, within 30 days, the Company originated CCSAC ISUP Call Set-Up requests associated with local, EAS, IntraMTA (for CMRS providers only), the Local Exchange Company portion of jointly provided switched access and Company originated toll for the calendar month specified in Section 2.3.10.C.2.a, for traffic on Local Interconnect Service and Wireless Type 2 trunks. Qwest will provide data based on actual records, defined as either call detail records, call message counts (including incomplete attempts) or signaling message records, as agreed upon by the Company and the customer.

If the customer has signaling associated with calls that do not utilize the Company's switched access network, or Wireless Type 2 traffic, this data should also be included in the calculation of the CCSAC PIU and POM to the extent that such data is available. To the extent this data is not available, the customer may declare the CCSAC PIU and POM based on the data that does exist, and assume that the traffic for which data does not exist exhibits the same CCSAC PIU and POM proportions as that for which data does exist.

The total of the PIU and POM shall not exceed 100. If the total of PIU and POM exceeds 100, then the PIU takes priority and the balance (100 - PIU) will be defaulted to POM. The Company will designate the number obtained by subtracting the projected PIU and POM factors furnished by the customer from 100 as the projected intrastate percentage of use. The projected PIU factor is used by the Company to apportion the message, monthly and nonrecurring charges associated with the CCS Link, STP Port, CCSAC Entrance Facility and Direct Link Transport between interstate and intrastate.

Qwest Corporation d/b/a CenturyLink QC

**Access Service
Catalog No. 1**

SECTION 2

Page 19.1

Release 3

Effective: 7-1-16

NORTHERN IDAHO

Issued: 5-20-16

2. GENERAL REGULATIONS

2.3 OBLIGATIONS OF THE CUSTOMER

2.3.10 JURISDICTIONAL REPORT REQUIREMENTS

B. Jurisdictional Requirements

5. CCSAC (Cont'd)

The projected PIU and POM are used to apportion the ISUP Call Set-up requests as interstate, intrastate and other for charging purposes. ISUP Call Set-up requests reported as POM will not be charged, provided that if the customer charges the Company for ISUP Call Set-up requests for Company originated traffic, the Company may charge the customer for ISUP Call Set-up requests associated with customer originated traffic in the same categories of traffic billed by the customer (i.e., local, EAS, intraMTA, Local Exchange Company portion of jointly provided switched access or Company originated toll traffic).

If a customer does not provide a PIU factor, the Company will apply a default PIU factor of fifty percent (50%). If a customer does not provide a POM factor, the Company will apply a default POM factor of zero percent (0%) except in those instances where the Company fails to provide the requested data described above with respect to the initial submission of the POM in a State, in which case the Company will apply a default CCSAC POM equal to the number obtained by subtracting the declared CCSAC PIU from 100. (C)

The PIU and POM factors will be used by the Company until a revised PIU or POM factor is reported as set forth in C., following. A State-level PIU and POM factor shall be provided for CCSAC Service provided within a State for the revised reports. (C)
(C)

6. Switched Access Service Expanded Interconnection Channel Termination

When a customer orders a Switched Access Service Expanded Interconnection Channel Termination (as set forth in Section 21, following), the customer shall state in its order the PIU factor in a whole number (i.e., a number 0 - 100). The Company will designate the number obtained by subtracting the projected interstate percentage furnished by the customer from 100 as the projected intrastate percentage of use.

The customer shall update the EICT PIU factor via a jurisdictional report as set forth in C., following. If the customer does not supply the reports, the Company will assume the PIU factors to be the same as those provided in the last quarterly report and follow the steps as set forth in C., following. For those cases in which a quarterly report has never been received from the customer, the Company will assume the PIU factors to be fifty percent (50%) until a revised PIU factor is provided via a jurisdictional report. Upon receipt of the customer's report, the Company will begin using the interstate percentage as set forth in C., following.

2. GENERAL REGULATIONS

2.3 OBLIGATIONS OF THE CUSTOMER

2.3.10 JURISDICTIONAL REPORT REQUIREMENTS (Cont'd)

C. Jurisdictional Reports

1. Percent Interstate Use (PIU) Factor

Except where Company measured access minutes are used as set forth in B.2., preceding, the customer-provided PIU factor will be used until the customer reports a different projected PIU factor based on the following guidelines.

- a. The customer may update the PIU factor via a Jurisdictional Report on a quarterly basis. The customer shall report the PIU factor by traffic and service type for each State. The customer shall forward to the Company a revised report, to be received no later than fourteen (14) days after the first of January, April, July and October. The revised report shall show the PIU factor for the most current data available, for each service arranged for interstate use. This data shall consist of at least three (3) and no more than twelve (12) consecutive months' of data, ending no more than 75 days earlier than the date the report is due (e.g., for the report due January 15th, the last month of data should be no earlier than October 31). The updated PIU factor shall be based on call detail records. The PIU factor can be based on a statistically valid sample. The PIU factor reported in January, April, July and October will be effective on the bill date of each such month and will serve as the basis for subsequent monthly billing pending the receipt of a revised PIU report. (C)
- b. No prorating or back billing will be done based on the jurisdictional report. However, usage will be billed utilizing the interstate percentage that was in effect at the time the usage was generated.
- c. The customer shall maintain and retain the work papers that show how the interstate percentage was determined and a summary derived from the actual call detail records for a minimum twelve (12) month period which statistically substantiates each interstate percentage provided to the Company. This summary at a minimum shall include month, year, state, traffic type (e.g., originating, terminating, 700, 8XX, 900, etc.) and service type.

2. GENERAL REGULATIONS

2.3 OBLIGATIONS OF THE CUSTOMER

2.3.10 JURISDICTIONAL REPORT REQUIREMENTS

C. Jurisdictional Reports

1. Percent Interstate Use (PIU) Factor (Cont'd)

- d. The Company may request the actual call detail records or a statistically valid sample of such records, on a prospective basis, not to exceed a consecutive three-month period. The actual call detail records will be used to statistically substantiate the interstate percentage provided to the Company and the process by which it is developed. Such call detail records shall consist of call information, including call terminating address (i.e., called number), call duration, the trunk group number(s), or access line number(s) over which the call is routed and the point at which the call enters the customer's network. The Company will not request such data more than once a year.
- e. If quarterly reports are not supplied by the customer, the following steps will be taken by the Company:
 - (1) If the customer does not supply the reports, the Company will assume the PIU factors to be the same as those provided in the last quarterly report. For those cases in which a quarterly report has never been received from the customer, the Company will assume the PIU factors to be the same as those provided in the order for service as set forth in B., preceding. In any case, the Company reserves the right to request actual call detail supporting the customer's reported PIU, as specified preceding.
 - (2) If a quarterly report has never been received from the customer, and the customer failed to report a PIU in the order for service, the Company will designate a fifty percent (50%) interstate percentage beginning with the next billing period. This interstate percentage will be applied until a quarterly PIU report is submitted.

Qwest Corporation d/b/a CenturyLink QC
Access Service
Catalog No. 1

SECTION 2
Page 21.1
Release 3
Effective: 7-1-16

Idaho Public Utilities Commission
Office of the Secretary
ACCEPTED FOR FILING
July 1, 2016
Boise, Idaho

NORTHERN IDAHO
Issued: 5-20-16

2. GENERAL REGULATIONS

2.3 OBLIGATIONS OF THE CUSTOMER

2.3.10 JURISDICTIONAL REPORT REQUIREMENTS

C. Jurisdictional Reports (Cont'd)

2. Percent Other Message (POM) Factor

The customer-provided POM factor will apply to CCSAC ISUP Call Set-up requests only, and will be used until the customer reports a different projected POM factor based on the following guidelines:

- a. The customer may update the POM factor via jurisdictional report on a quarterly basis. The customer shall report the POM factor for each State. The customer shall forward to the Company a revised report, to be received no later than fourteen (14) days after the first of January, April, July and October. The revised report shall show the POM factor for the most current data available. This data shall consist of at least three (3) and no more than twelve (12) consecutive months of data, ending no more than seventy-five (75) days earlier than the date the report is due (e.g., for the report due January 15th, the last month of data should be no earlier than October 31). The updated POM factor shall be based on actual records, defined as either call detail records, call message counts (including incomplete attempts) or signaling message records. The POM factor may be based on a statistically valid sample. The POM factor reported in January, April, July and October will be effective on the bill date of each such month and will serve as the basis for subsequent monthly billing pending the receipt of a revised POM report. If the customer requests the Company to provide data, per the terms of Section 2.3.10.B.6, preceding, the data provided by the Company will comply with the terms of this section. (C)
- b. No prorating or back billing will be done based on the jurisdictional report. However, usage will be billed utilizing the POM percentage that was in effect at the time the usage was generated.
- c. The customer shall maintain and retain the work papers that show how the POM was determined and a summary derived from the actual records for a minimum twelve (12) month period which statistically substantiates each POM provided to the Company. This summary at a minimum shall include month, year and state. If the customer requests the Company to provide data, per the terms of Section 2.3.10.B.6, preceding, the Company will comply with the terms of this Section with respect to the data it provides.

2. GENERAL REGULATIONS

2.3 OBLIGATIONS OF THE CUSTOMER

2.3.10 JURISDICTIONAL REPORT REQUIREMENTS

C. Jurisdictional Reports

2. Percent Other Message (POM) Factor (Cont'd)

- d. The Company may request the data used to develop the POM, or a statistically valid sample of such data, on a prospective basis, not to exceed a consecutive three-month period. The data will be used to statistically substantiate the POM provided to the Company and the process by which it is developed. Such data shall consist of call or message information of sufficient detail to substantiate the jurisdictional factors provided by the customer. If the Company has provided data, as requested by the customer per the terms of Section 2.3.20.B.6, preceding, this data will not be part of the request and is not the responsibility of the customer. In addition, the customer may request more detailed data used to develop the summary data provided by the Company or a statistically valid sample of such data, on a prospective basis, not to exceed a consecutive three month period. In response to this request the Company will provide data by trunk group.
- e. Except as provided in Section 2.3.10.B.6 where the Company fails to provide requested data, if a quarterly report has never been received from the customer, and the customer failed to report a POM in the order for service, the Company will designate a zero percent (0%) POM beginning with the next billing period. This POM will be applied until a quarterly POM report is submitted.

(D)
|
(D)

2. GENERAL REGULATIONS

2.3 OBLIGATIONS OF THE CUSTOMER

2.3.10 JURISDICTIONAL REPORT REQUIREMENTS (Cont'd)

D. Jurisdictional Report Dispute and Auditing Procedures

(T)

If a billing dispute arises concerning the projected interstate percentage, the Company will ask the customer to provide the data the customer uses to determine the projected interstate percentage as described in 1., following.

1. Switched Access Services

- a. If the Company questions the information provided by the customer in C., preceding, the Company will send a letter to the customer (by certified U.S. Mail, return receipt requested) requesting that the customer contact the Company to discuss and explain their report within thirty (30) days of the Company's request.
- b. If no response is received from the customer, the Company will send a letter to the customer (by certified U.S. Mail, return receipt requested) requesting the work papers and summary as described in C., preceding, used by the customer to substantiate the most recent interstate percentage. The requested information must be submitted by the customer to the Company within thirty (30) days after receipt of the certified letter.
- c. If the customer submits the work papers and summary as requested in b., preceding, the Company will review this information within thirty (30) days after receipt of the customer's information.
- d. If after review of the documentation, the Company and the customer establish a revised interstate percentage, the Company will begin using that percentage with the next billing period.
- e. If the Company and the customer do not establish a revised interstate percentage, the Company will begin the procedures as set forth in g., following.
- f. If no response is received from the customer, the Company will begin the auditing procedures as set forth in g., following, and notify the Commission.

2. GENERAL REGULATIONS

2.3 OBLIGATIONS OF THE CUSTOMER

2.3.10 JURISDICTIONAL REPORT REQUIREMENTS

D.1. (Cont'd)

(T)

- g. When jurisdictional reports are not provided by the customer or a billing dispute arises, the Company may request an audit. The audit procedures and responsible party(ies) for payment of audit expenses will be determined as follows:
- If the Company and the customer mutually agree upon an independent Certified Public Accountant (CPA) auditing firm and the party(ies) agree to equally share in the payment of audit expenses, both the Company and the customer will be bound by such agreement; or
 - The customer may select an independent CPA auditing firm and pay all audit expenses.
 - If the audit is not conducted as set forth preceding, the Company may select an independent CPA auditing firm and pay all expenses.
- h. The Company will adjust the customer's PIU based upon the audit results. The PIU resulting from the audit shall be applied to the usage for the quarter the audit is completed, the usage for the quarter prior to completion of the audit and the usage for the two (2) quarters following the completion of the audit. After that time, the customer may report a revised PIU pursuant to C., preceding. The Company will implement the revised interstate percentage to the next billing period or quarterly report date, whichever is first.

2. GENERAL REGULATIONS

2.3 OBLIGATIONS OF THE CUSTOMER

2.3.10 JURISDICTIONAL REPORT REQUIREMENTS

D. Jurisdictional Report Dispute and Auditing Procedures (Cont'd)

(T)

2. Access Service Billing

For Access Service Billing (as described in 12.3.5, following) the Company will ask the customer to provide the data the customer uses to determine the projected interstate percentage if a billing dispute arises or a regulatory commission questions the customer-provided interstate percentage. The customer shall supply the data within thirty (30) days of the Company request. The Company will not request such data more than once a year. The customer shall keep records of system design and functions from which the percentage of interstate and intrastate use can be ascertained and, upon request of the Company, make the records available for inspection as reasonably necessary for purposes of verification of the percentages.

3. Jurisdictional Report Proprietary Information

The data the customer provides to the Company to support their interstate percentage is considered proprietary to the customer. The Company agrees to use and protect such information by exercising the same degree of care normally used to protect its own proprietary information.

2. GENERAL REGULATIONS

2.3 OBLIGATIONS OF THE CUSTOMER

2.3.10 JURISDICTIONAL REPORT REQUIREMENTS

D. Jurisdictional Report Dispute and Auditing Procedures (Cont'd)

(T)

4. Contested Audits

- a. When a jurisdictional audit is conducted by the Company or an independent Certified Public Accountant (CPA) auditing firm selected by the Company, the audit results will be furnished to the customer by certified U.S. Mail (return receipt requested). The customer may contest the audit results by providing written notification (by certified U.S. Mail, return receipt requested), to the Company within fifteen (15) calendar days from the date the audit report is furnished to the customer by certified U.S. Mail (return receipt requested). When a jurisdictional audit is conducted by an independent Certified Public Accountant (CPA) auditing firm selected by the customer, the audit results will be furnished to the Company by certified U.S. Mail (return receipt requested). The Company may contest the audit results by providing written notification (by certified U.S. Mail, return receipt requested), to the customer within fifteen (15) calendar days from the date the audit report is furnished to the Company by certified U.S. Mail (return receipt requested).
- b. Contested audits will be resolved by the Company and the customer within thirty (30) days of written notification, or a neutral arbitrator will be mutually agreed upon by the Company and the customer. During the initial thirty (30) day resolution period, the Company and the customer will review the audit process and the data used to calculate the PIU factor in an attempt to resolve the dispute. Should the Company and the customer resolve the dispute on the PIU factor, a neutral arbitrator would not be warranted.
- c. Contested audits will be resolved by a neutral arbitrator mutually agreed upon by the Company and the customer. The arbitration hearing will be conducted in Denver, Colorado or a state and location within the Company operating territory that is mutually agreed upon by both parties. The arbitration proceeding, including the decision rendered, shall be governed by the law (both statutory and case) of the state in which the arbitration hearing is held, including but not limited to the Uniform Arbitration Act as adopted in that state.

2. GENERAL REGULATIONS

2.3 OBLIGATIONS OF THE CUSTOMER

2.3.10 JURISDICTIONAL REPORT REQUIREMENTS

D.4. (Cont'd)

- d. Prior to the arbitration hearing, each party shall notify the arbitrator of the PIU factor which that party believes to be correct. The arbitrator, in deciding, may adopt the PIU factor of either party or may adopt a PIU factor different from those proposed by the parties.
- e. If the arbitrator adopts a PIU factor proposed by one of the parties, the other party (whose PIU factor was not adopted) shall pay all costs of the arbitration. If the arbitrator adopts a PIU factor higher than the PIU factors proposed by both parties, then the party proposing the lower PIU factors shall pay all costs of the arbitration. If the arbitrator adopts a PIU factor lower than the PIU factor proposed by both parties, then the party proposing the higher PIU factor shall pay all costs of the arbitration. If the arbitrator adopts a PIU factor which falls between the two factors proposed by the parties, then the parties shall each pay one-half of the arbitration costs.
- f. Absent written notification, within the time frame as set forth preceding, audit results cannot be contested and the Company will adjust the customer's PIU factor based upon the audit results as set forth in C., preceding.

E. Application of PIU

When the Access Service is not available in the interstate jurisdiction, the PIU factor must be zero percent (0%).

2. GENERAL REGULATIONS

2.3 OBLIGATIONS OF THE CUSTOMER

2.3.10 JURISDICTIONAL REPORT REQUIREMENTS (Cont'd)

F. Identification and Rating of VoIP-PSTN Traffic

(T)

VoIP-PSTN Traffic is defined as traffic exchanged between a Company end user and the customer in Time Division Multiplexing (TDM) format that originates and/or terminates in Internet Protocol (IP) format. This section governs the identification and compensation of VoIP-PSTN Traffic that is required to be compensated at access rates unless the parties have agreed otherwise by the F.C.C. in its Report and Order in WC Dockets Nos. 10-90, etc., F.C.C. Release No. 11-161 (November 18, 2011) (F.C.C. Order). Specifically, this section establishes the method of separating VoIP-PSTN Traffic from the customer's traditional intrastate access traffic, so that VoIP-PSTN Traffic can be billed in accordance with the F.C.C. Order.

The FCC released its Second Order of Reconsideration in WC Docket No. 10-90, etc., FCC Release No. 12-47 (April 25, 2012) which temporarily modified the compensation of originating VoIP-PSTN Traffic on a prospective basis. Upon receipt, validation and acceptance of the Percent VoIP Usage factor, originating VoIP-PSTN Traffic will be compensated as follows:

- Between the Initial Implementation date described in 2.3.10.G.2 and July 12, 2012, the applicable rate elements used in providing originating access for VoIP-PSTN Traffic and associated facilities will be billed according to interstate access rates.
- Effective July 13, 2012 the applicable rate elements used in providing originating access for intrastate VoIP-PSTN Traffic and associated facilities will be billed according to intrastate access rates. The applicable rate elements used in providing originating access for interstate VoIP-PSTN Traffic and associated facilities will be billed according to interstate access rates.
- Effective July 1, 2014 the applicable rate elements used in providing originating access for intrastate VoIP-PSTN Traffic and associated facilities will be billed according to interstate access rates.
- After the Initial Implementation date described in 2.3.10.G.2, terminating VoIP-PSTN Traffic and associated facilities will be billed according to interstate access rates.

Qwest Corporation d/b/a CenturyLink QC
Access Service
Catalog No. 1

SECTION 2
Page 26.2
Release 4
Effective: 7-1-16

Idaho Public Utilities Commission
Office of the Secretary
ACCEPTED FOR FILING
July 1, 2016
Boise, Idaho

NORTHERN IDAHO
Issued: 5-20-16

2. GENERAL REGULATIONS

2.3 OBLIGATIONS OF THE CUSTOMER

2.3.10 JURISDICTIONAL REPORT REQUIREMENTS

F. Identification and Rating of VoIP-PSTN Traffic (Cont'd)

VoIP-PSTN Traffic and associated facilities identified in accordance with this tariff section will be billed at rates equal to the Company's applicable interstate switched access rates as set forth in CenturyLink Operating Companies F.C.C. No. 11 Tariff when applicable based on the schedule shown above. CenturyLink Operating Companies F.C.C. No. 11 Tariff and may be viewed at

(T)
|
(T)

http://www.centurylink.com/tariffs/fcc_cloc_acc_t_no_11.pdf

(T)

1. Calculation and Application of Percent-VoIP- Usage Factors

- a. The Company will determine the number of VoIP-PSTN Traffic minutes of use (MOU) to which interstate rates will be applied under B, preceding, by applying an originating Percent VoIP Usage (PVU) factor to the total intrastate access MOU originated by a Company end user and delivered to the customer and by applying a terminating PVU factor to the total intrastate access MOU terminated by a customer to the Company's end user.
- b. The Company will use state average data and the customer provided Facility PVU to determine the monthly recurring credit for terminating VoIP-PSTN Traffic.
- c. The customer will calculate and furnish to the Company an originating PVU factor representing the whole number percentage of the customer's total originating intrastate access MOU that the customer exchanges with the Company in the State that is received from the Company and that is terminated in IP format and that would be billed by the Company as intrastate access MOU. (C)
- d. The customer will calculate and furnish to the Company a terminating PVU factor representing the whole number percentage of the customer's total terminating intrastate access MOU that the customer exchanges with the Company in the State that is sent to Company and which originated in IP format and that would be billed by the Company as intrastate access MOU. (C)
- e. The customer shall not modify their reported PIU factor to account for VoIP-PSTN Traffic.
- f. The customer will calculate and furnish to the Company a Facility PVU factor representing the whole number percentage of the customer's total monthly recurring switched transport charges that are associated with the intrastate access MOU included in the PVU factor.

2. GENERAL REGULATIONS

2.3 OBLIGATIONS OF THE CUSTOMER

2.3.10 JURISDICTIONAL REPORT REQUIREMENTS

F. Identification and Rating of VoIP-PSTN Traffic

1. Calculation and Application of Percent-VoIP- Usage Factors (Cont'd)
 - g. Both the customer provided originating PVU and the terminating PVU shall be based on information such as the number of the customer's retail VoIP subscriptions in the state (e.g. as reported on F.C.C. Form 477), traffic studies, actual call detail or other relevant and verifiable information which will be provided to the Company upon request.
 - h. The customer shall retain the call detail, work papers, and information used to develop the PVU factors for a minimum of one year.
 - i. If the Customer does not furnish the Company with a PVU factor, the Company will utilize a PVU equal to zero.
2. Initial Implementation of PVU Factors
 - a. If the PVU factors cannot be implemented in the Company's billing systems by December 29, 2011, once the factors can be implemented the Company will adjust the customer's bills to reflect the PVU factors prospectively in the next bill period if the PVU factors are provided by the customer to the Company prior to April 15, 2012.
 - b. The Company may choose to provide credits based on the reported PVU factors on a quarterly basis until such time as the billing system modifications can be implemented.
3. PVU Factor Updates

The customer may update the PVU factors quarterly using the method set forth in 1.c, preceding. If the customer chooses to submit such updates, it shall forward to the Company, no later than 15 days after the first day of January, April, July and/or October of each year, revised PVU factors based on data for the prior three months, ending the last day of December, March, June and September, respectively. The revised PVU factors will serve as the basis for future billing and will be effective on the bill date of each such month and shall serve as the basis for subsequent monthly billing until superseded by new PVU factors. No prorating or back billing will be done based on the updated PVU factors.

Qwest Corporation d/b/a CenturyLink QC

**Access Service
Catalog No. 1**

**SECTION 2
Page 26.4
Release 3**

**Idaho Public Utilities Commission
Office of the Secretary
ACCEPTED FOR FILING
July 1, 2014
Boise, Idaho**

**NORTHERN IDAHO
Issued: 5-23-2014**

Effective: 7-1-2014

2. GENERAL REGULATIONS

2.3 OBLIGATIONS OF THE CUSTOMER

2.3.10 JURISDICTIONAL REPORT REQUIREMENTS

F. Identification and Rating of VoIP-PSTN Traffic (Cont'd)

(T)

4. PVU Factor Verification

- a. Not more than twice in any year, the Company may request from the customer an overview of the process used to determine the PVU factors, the call detail records, description of the method for determining how the end user originates and terminates calls in IP format, and other information used to determine the customer's PVU factors furnished to the Company in order to validate the PVU factors supplied. The customer shall comply, and shall reasonably supply the requested data and information within 15 days of the Company's request.
- b. The Company may dispute the Customer's PVU factor based upon:
 - A review of the requested data and information provided by the customer, or customer's refusal to provide the data and information to support the PVU factors.
 - The Company's reasonable review of other market information, F.C.C. reports on VoIP lines, such as F.C.C. Form 477 or state level results based on the F.C.C. Local Competition Report or other relevant data.
 - A change in the reported PVU factor by more than five percentage points from the preceding quarter.
- c. If after review of the data and information, the customer and the Company establishes revised PVU factors, the Company will begin using those revised PVU factors with the next bill period.

**NOTICE
THE INFORMATION CONTAINED IN THIS DOCUMENT IS SUBJECT TO CHANGE.
TRANSMITTAL NO. 14-07-NID**

Qwest Corporation d/b/a CenturyLink QC

**Access Service
Catalog No. 1**

**SECTION 2
Page 26.5
Release 2**

**NORTHERN IDAHO
Issued: 5-23-2014**

Effective: 7-1-2014

**Idaho Public Utilities Commission
Office of the Secretary
ACCEPTED FOR FILING
July 1, 2014
Boise, Idaho**

2. GENERAL REGULATIONS

2.3 OBLIGATIONS OF THE CUSTOMER

2.3.10 JURISDICTIONAL REPORT REQUIREMENTS

F. Identification and Rating of VoIP-PSTN Traffic

4. PVU Factor Verification (Cont'd)

- d. If the dispute is unresolved, the Company may initiate an audit. The Company shall limit audits of the customer's PVU factor to no more than twice per year. The customer may request that the audit be conducted by an independent auditor. In such cases the associated auditing expenses will be paid by the customer.
- In the event that the customer fails to provide adequate records to enable the Company or an independent auditor to conduct an audit verifying the customer's PVU factors, the Company will bill the usage and associated facilities for all contested periods using the most recent undisputed PVU factors reported by the customer. If no undisputed PVU factors exist, then PVU factors of zero percent will be used for all contested periods. These PVU factors will remain in effect until the audit can be completed.
 - During the audit, the most recent undisputed PVU factors from the previous reporting period will be used by the Company.
 - The Company will adjust the customer's PVU factors based on the results of the audit and implement the revised PVU in the next billing period or quarterly report date, whichever is first. The revised PVU factors will apply for the next two quarters before new factors can be submitted by the customer.
 - If the audit supports the customer's PVU factors, the usage for the contested periods will be adjusted to reflect the customer's audited PVU factors.

(T)

(M) Material moved from Page 26.4.

**NOTICE
THE INFORMATION CONTAINED IN THIS DOCUMENT IS SUBJECT TO CHANGE.
TRANSMITTAL NO. 14-07-NID**

Qwest Corporation d/b/a CenturyLink QC
Access Service
Catalog No. 1

NORTHERN IDAHO
Issued: 5-31-13

SECTION 2
Page 27
Release 3
Effective: 7-2-13

Idaho Public Utilities Commission
Office of the Secretary
ACCEPTED FOR FILING (C)
July 2, 2013
Boise, Idaho

2. GENERAL REGULATIONS

2.3 OBLIGATIONS OF THE CUSTOMER (Cont'd)

2.3.11 DETERMINATION OF INTRASTATE CHARGES FOR MIXED INTERSTATE AND INTRASTATE ACCESS SERVICE

A. PIU

When mixed interstate and intrastate Access Service is provided, all charges (i.e., nonrecurring, monthly and/or usage) including optional feature charges, will be prorated between interstate and intrastate for all Access Service except Access Service Billing. The PIU factor provided in the jurisdictional reports as set forth in 2.3.10, preceding, will serve as the basis for prorating the charges. The percentage of an Access Service to be charged as intrastate is applied in the following manner:

1. For monthly and nonrecurring chargeable rate elements, multiply the percent intrastate use times the quantity of chargeable elements times the stated catalog rate per element. In the event that the customer has provided a separate percent interstate use for terminating access for FGD, the projected PIU factor for originating access minutes of use will be used to determine the apportionment of charges.
2. For usage sensitive (i.e., access minutes and calls) chargeable rate elements, multiply the percent intrastate use times actual use (i.e., measured or Company assumed average use) times the stated rate.
 - The PIU factor will change as revised usage reports are submitted as set forth in 2.3.10, preceding.

Qwest Corporation d/b/a CenturyLink QC
Access Service
Catalog No. 1

SECTION 2
Page 27.1
Release 3
Effective: 7-1-16

NORTHERN IDAHO
Issued: 5-20-16

Idaho Public Utilities Commission
Office of the Secretary
ACCEPTED FOR FILING
July 1, 2016
Boise, Idaho

2. GENERAL REGULATIONS

2.3 OBLIGATIONS OF THE CUSTOMER

2.3.11 DETERMINATION OF INTRASTATE CHARGES FOR MIXED INTERSTATE AND INTRASTATE ACCESS SERVICE (Cont'd)

B. CCSAC PIU and POM

The CCSAC PIU and POM reports as set forth in 2.3.10, preceding, will serve as the basis for prorating the charges. The percentage of a CCSAC rate element to be charged as intrastate is applied in the following manner:

1. For the following chargeable rate elements: CCSAC Entrance Facility, Direct Link Transport, CCS Links, STP Port, Multiplexing, TCAP message charges, and all nonrecurring charges; multiply one hundred percent minus the CCSAC PIU times the quantity of chargeable elements times the stated Tariff rate per element.
2. For chargeable rate elements associated with ISUP Call Set-up requests, multiply the percent intrastate use (100 minus the sum of the CCSAC PIU plus the CCSAC POM) times the actual use times the stated Tariff rate.
 - The CCSAC PIU and POM factors will change as revised declarations are submitted as set forth in 2.3.10, preceding.

- C.** When mixed interstate and intrastate Access Service Billing is provided, the jurisdiction of the service is determined in accordance with 2.3.12, following. If the Access Service Billing is determined to be an intrastate service, 100 percent of all appropriate charges of this Catalog will apply. If the Access Service Billing is determined to be an interstate service, 100 percent of the interstate charges, as specified in the F.C.C. No. 11 Tariff, will apply.

(T)

Qwest Corporation d/b/a CenturyLink QC
Access Service
Catalog No. 1

SECTION 2

Page 28

Release 3

Effective: 7-1-16

NORTHERN IDAHO

Issued: 5-20-16

Idaho Public Utilities Commission

Office of the Secretary

ACCEPTED FOR FILING

July 1, 2016

Boise, Idaho

2. GENERAL REGULATIONS

2.3 OBLIGATIONS OF THE CUSTOMER (Cont'd)

2.3.12 DETERMINATION OF JURISDICTION FOR MIXED INTERSTATE AND INTRASTATE ACCESS SERVICE BILLING

A. When an Access Service Bill (as described in 12.3.5, following) contains both interstate and intrastate billing, the jurisdiction will be determined as follows:

1. If the customer's estimate of the interstate charges on the bill constitutes ten percent or less of the total charges on that bill, the bill will be provided in accordance with the applicable rules and regulations of this Catalog.
2. If the customer's estimate of the interstate charges on the bill constitutes more than ten percent of the total charges on that bill, the bill will be provided in accordance with the appropriate interstate rules and regulations specified in the F.C.C. No. 11 Tariff.

(T)

2.3.13 DETERMINATION OF THE CUSTOMER OF RECORD WHEN SWITCHED ACCESS SERVICE CONNECTS TO EXPANDED INTERCONNECTION SERVICE

The customer of record for Switched Access Service and the customer of record for Expanded Interconnection Service may be different. The customer of record is determined as set forth following:

- If the interexchange carrier uses an interconnector's services, the interconnector may order Switched Access Service and Expanded Interconnection Service in its own name in which case the interconnector will be the customer of record for both services.
- If the interconnector orders Switched Access Service as an agent for the interexchange carrier, the interexchange carrier will be the Switched Access Service customer of record and the interconnector will be the Expanded Interconnection Service customer of record.
- If the interexchange carrier orders the Switched Access Service directly, the interexchange carrier will be the Switched Access Service customer of record and the interconnector will be the Expanded Interconnection Service customer of record.

2. GENERAL REGULATIONS

2.3 OBLIGATIONS OF THE CUSTOMER (Cont'd)

2.3.14 DETERMINATION OF THE CUSTOMER OF RECORD WHEN SWITCHED ACCESS SERVICE UTILIZES TANDEM SIGNALING INFORMATION

The customer of record for FGD Service and the customer of record for an Entrance Facility (EF) and a Direct-Trunked Transport (DTT) facility equipped with Tandem Signaling Information (TSI) may be different as set forth following:

- A Tandem Service Provider (TSP) may order in its own name originating and/or terminating FGD Service, an EF and a DTT facility equipped with TSI, in which case the TSP is the customer of record for all rates and charges between the Company end office and the TSP's premises.
- If a customer other than a TSP, orders originating FGD Service directly, that customer is the customer of record for all recurring usage rate elements (e.g., LS and CCL) associated with originating FGD Service via a DTT facility equipped with TSI (between the Company end office and the Company SWC of the TSP's tandem premises) and the FGD nonrecurring charges. The TSP is the customer of record for the EF recurring and nonrecurring rate elements and the DTT recurring rate element when the DTT facility is equipped with TSI between the Company end office and the Company SWC of the TSP's premises.
- If a TSP orders originating FGD Service as an agent of the customer, that customer is the customer of record for all recurring usage rate elements (e.g., LS and CCL) associated with originating FGD Service via a DTT facility equipped with TSI (between the Company end office and the Company SWC of the TSP's tandem premises) and the FGD nonrecurring charges. The TSP is the customer of record for the EF recurring and nonrecurring rate elements and the DTT recurring rate element when the DTT facility is equipped with TSI between the Company end office and the Company SWC of the TSP's premises.
- For one-way provisioned terminating FGD Service between the Company end office and the TSP's premises, the TSP is the customer of record and is responsible for ordering terminating FGD Service for their customer. The customer, at their request, may choose to have the rates and charges for terminating FGD Service billed to them directly or enter into a bill data arrangement with the Company to bill the IC customer.

Qwest Corporation d/b/a CenturyLink QC
Access Service
Catalog No. 1

NORTHERN IDAHO
Issued: 5-31-13

SECTION 2
Page 30
Release 2
Effective: 7-2-13

Idaho Public Utilities Commission
Office of the Secretary
ACCEPTED FOR FILING (C)
July 2, 2013
Boise, Idaho

2. GENERAL REGULATIONS

2.4 PAYMENT ARRANGEMENTS AND CREDIT ALLOWANCES

2.4.1 PAYMENT OF RATES, CHARGES AND DEPOSITS

A. Deposits

1. The Company, in accordance with the "The Telephone Customer Relations Rules", may require an applicant for service or a present customer which has a proven history of late payments to the Company or does not have established credit with the Company, to make and keep intact a deposit prior to or at any time after the provision of a service to the customer to be held by the Company. No such deposit will be required of a customer which is a successor of a company which has established credit with the Company and has no history of late payments to the Company.

The fact that a deposit has been made shall in no way relieve the customer from complying with the regulations of the Company as to advance payments and the prompt payment of bills on presentation, nor constitute a waiver or modification of the regular practices of the Company providing for the discontinuance of service for nonpayment of any sums due the Company for service rendered.

2. The Company adopts by reference "The Telephone Customer Relations Rules", codified at IDAPA 31.41.01000 et seq, by the Idaho Public Utilities Commission and all amendments to those rules which may be hereafter adopted by the Idaho Public Utilities Commission. Copies of these Rules are on file in every Business Office and are available for public inspection.

Qwest Corporation d/b/a CenturyLink QC
Access Service
Catalog No. 1

SECTION 2
Page 31
Release 2
Effective: 7-2-13

Idaho Public Utilities Commission
Office of the Secretary
ACCEPTED FOR FILING (C)
July 2, 2013
Boise, Idaho

NORTHERN IDAHO
Issued: 5-31-13

2. GENERAL REGULATIONS

2.4 PAYMENT ARRANGEMENTS AND CREDIT ALLOWANCES

2.4.1 PAYMENT OF RATES, CHARGES AND DEPOSITS

A. Deposits (Cont'd)

3. Interest will be payable on all deposits at the rate determined by the I.P.U.C. pursuant to Commission rule IDAPA 31.41.01106. Interest will accrue from the date of the deposit until the date of refund or application to the customer's telephone bill.
4. The deposit will be returned to the customer within 18 months after the customer has established good credit.
5. If, however, the average charge exceeds \$100 per month, the Company may retain the deposit longer than 18 months.

B. Advance Payments

1. In accordance with the Company's practice of requiring that all regularly recurring charges for services be paid monthly in advance, an applicant for service may be required to pay in advance at the time application for service is made, the Service and Equipment Charges applicable, together with at least one month's charges for the services applied for, and where necessary, in the opinion of the Company, the estimated amount of construction charges.
2. The amount of the advance payment will be credited to the customer's account and applied to any indebtedness under the contract for service furnished, and for Service and Equipment Charges.

Qwest Corporation d/b/a CenturyLink QC
Access Service
Catalog No. 1

SECTION 2
Page 32
Release 2
Effective: 7-2-13

NORTHERN IDAHO
Issued: 5-31-13

2. GENERAL REGULATIONS

2.4 PAYMENT ARRANGEMENTS AND CREDIT ALLOWANCES

2.4.1 PAYMENT OF RATES, CHARGES AND DEPOSITS (Cont'd)

- C. The Company shall bill on a current basis all charges incurred by and credits due to the customer under this document attributable to services established or discontinued during the preceding billing period. In addition, the Company shall bill in advance charges for all services to be provided during the ensuing billing period except for charges associated with service usage and for the Federal Government, which will be billed in arrears. The bill day (i.e., the billing date of a bill for a customer for Access Service under this document), the period of service each bill covers and the payment date will be as follows:
1. The Company will establish a bill day each month for each customer account. The bill will cover nonusage sensitive service charges for the ensuing billing period and any known unbilled nonusage sensitive charges. Any known unbilled usage charges for prior periods and any known unbilled adjustments will also be applied to this bill. Payment for such bills is due as set forth in 2., following. If payment is not received by the payment due date, as set forth in 2., following, in immediately available funds, a late payment penalty will apply as set forth in 3., following.
 2. All bills dated as set forth in 1., preceding, for service provided to the customer by the Company are due (payment due date) by the next bill date (i.e., same date in the following month as the bill date), except as provided herein, and are payable in immediately available funds. If such payment due date would cause payment to be due on a Saturday, Sunday or holiday (i.e., New Year's Day, Independence Day, Labor Day, Thanksgiving Day, Veterans Day, Christmas Day and a day when Washington's Birthday, Memorial Day or Columbus Day is legally observed), payment of such bills will be due from the customer as follows:
 - If such payment due date falls on a Sunday or on a holiday which is observed on a Monday, the payment due date shall be the first non-holiday day following such Sunday or holiday. If such payment due date falls on a Saturday or on a holiday which is observed on Tuesday, Wednesday, Thursday or Friday, the payment due date shall be the last non-holiday day preceding such Saturday or holiday.

Qwest Corporation d/b/a CenturyLink QC
Access Service
Catalog No. 1

SECTION 2
Page 33
Release 2
Effective: 7-2-13

NORTHERN IDAHO
Issued: 5-31-13

2. GENERAL REGULATIONS

2.4 PAYMENT ARRANGEMENTS AND CREDIT ALLOWANCES

2.4.1 PAYMENT OF RATES, CHARGES AND DEPOSITS

C. (Cont'd)

3. Further, if any portion of the payment is received by the Company after the payment due date as set forth in 2., preceding, or if any portion of the payment is received by the Company in funds which are not immediately available to the Company, then a late payment penalty shall be due to the Company. The late payment penalty applies only to ICs. The late payment penalty shall be the portion of the payment not received by the payment due date times a late factor. The late factor shall be the lesser of:
 - a. The highest interest rate (in decimal value) which may be levied by law for commercial transactions, compounded daily for the number of days from the payment due date to and including the date that the customer actually makes the payment to the Company, or
 - b. 0.000407 per day, compounded daily for the number of days from the payment due date to and including the date that the customer actually makes the payment to the Company.
4. In the event of a billing dispute, the customer must submit a documented claim for the disputed amount. If the claim is submitted within 90 days of the payment due date, any interest credits due the customer upon resolution of the dispute shall be calculated from the bill payment date. If the customer submits a claim for this disputed amount more than 90 days from the payment due date, any interest credits due the customer upon resolution of the dispute shall be calculated from the later of the date the claim was submitted, or the bill payment date. Any undisputed amounts withheld by the customer in conjunction with disputed amounts withheld, shall be subject to the late payment penalty, as set forth in 3., preceding. The Company will resolve the dispute and assess interest credits or penalties to the customer as follows:

Qwest Corporation d/b/a CenturyLink QC
Access Service
Catalog No. 1

SECTION 2
Page 34
Release 2
Effective: 7-2-13

NORTHERN IDAHO
Issued: 5-31-13

2. GENERAL REGULATIONS

2.4 PAYMENT ARRANGEMENTS AND CREDIT ALLOWANCES

2.4.1 PAYMENT OF RATES, CHARGES AND DEPOSITS

C.4. (Cont'd)

- If the dispute is resolved in favor of the Company and the customer has paid the disputed amount on or before the payment due date, no interest credits or penalties will apply.
- If the dispute is resolved in favor of the Company and the customer has withheld the disputed amount, any payments withheld pending settlement of the dispute shall be subject to the late payment penalty as set forth in 3., preceding.
- If the dispute is resolved in favor of the customer and the customer has withheld the disputed amount, no interest credits or penalties will apply.
- If the dispute is resolved in favor of the customer and the customer has paid the disputed amount, the customer will receive an interest credit from the Company for the disputed amount times a late factor. The late factor shall be the lesser of:
 - The highest interest rate (in decimal value) which may be levied by law for commercial transactions, compounded daily for the number of days from the date when payment was made or credit claimed in accordance with 4., preceding, to and including the payment due date (as set forth in 2., preceding) of the bill that reflects the credit for the disputed amount. In the event that the Company agrees to refund a credit by check or wire transfer, interest will be applied up to and including the date of issuance for either the check or wire transfer.
 - 0.000407 per day, compounded daily for the number of days from the date when payment was made or credit claimed in accordance with 4., preceding, to and including the payment due date (as set forth in 2., preceding) of the bill that reflects the credit for the disputed amount. In the event that the Company agrees to refund a credit by check or wire transfer, interest will be applied up to and including the date of issuance for either the check or wire transfer.

Qwest Corporation d/b/a CenturyLink QC
Access Service
Catalog No. 1

SECTION 2
Page 35
Release 2
Effective: 7-2-13

NORTHERN IDAHO
Issued: 5-31-13

2. GENERAL REGULATIONS

2.4 PAYMENT ARRANGEMENTS AND CREDIT ALLOWANCES

2.4.1 PAYMENT OF RATES, CHARGES AND DEPOSITS (Cont'd)

- D. Adjustments for the quantities of services established or discontinued in any billing period beyond the minimum period set forth for services in other sections of this document will be prorated to the number of days or major fraction of days based on a 30 day month. The Company will, upon request and if available, furnish such detailed information as may reasonably be required for verification of any bill.
- E. When a rate as set forth in this document is shown to have more than two decimal places, the charges will be determined using the rate shown. The resulting amount will then be rounded to the nearest penny (i.e., rounded to two decimal places).
- F. When more than one copy of a customer bill for services provided under the provisions of this document is furnished to the customer, an additional charge applies for each additional copy of the bill as set forth in 12.3.5, following.

2.4.2 MINIMUM PERIODS

- A. The minimum period for which services are provided and for which rates and charges are applicable is one month unless otherwise specified.
- B. When a service is discontinued prior to the expiration of the minimum period, charges are applicable, whether the service is used or not, as follows:
 - 1. When a service with a one month minimum period is discontinued prior to the expiration of the minimum period, a one month charge will apply at the rate level in effect at the time service is discontinued.
 - 2. When a service with a minimum period greater than one month is discontinued prior to the expiration of the minimum period, a termination charge will apply as specified in 2.4.10, following.

Qwest Corporation d/b/a CenturyLink QC
Access Service
Catalog No. 3

SECTION 2
Page 36
Release 2
Effective: 7-2-13

NORTHERN IDAHO
Issued: 5-31-13

Idaho Public Utilities Commission
Office of the Secretary
ACCEPTED FOR FILING (C)
July 2, 2013
Boise, Idaho

2. GENERAL REGULATIONS

2.4 PAYMENT ARRANGEMENTS AND CREDIT ALLOWANCES (Cont'd)

2.4.3 CANCELLATION OF AN ORDER FOR SERVICE

Provisions for the cancellation of an order for Access Service are set forth in Section 5, following.

2.4.4 CANCELLATION FOR CAUSE

The Company, by written notice to the customer, may immediately discontinue the furnishing of Access Service without incurring any liability upon:

- Nonpayment of any sum due the Company, or
- A violation of any condition governing the furnishing of service.

2.4.5 CREDIT ALLOWANCE FOR SERVICE INTERRUPTIONS

A. General

A service is interrupted when it becomes unusable to the customer because of a failure of a component used to furnish service under this document or in the event that the protective controls applied by the Company result in the complete loss of service by the customer as set forth in 6.5.1, following. An interruption period starts when an inoperative service is reported to the Company, and ends when the service is operative.

B. When a Credit Allowance Applies

In case of an interruption to any service, allowance for the period of interruption, if not due to the negligence of the customer, shall be as follows:

Qwest Corporation d/b/a CenturyLink QC
Access Service
Catalog No. 1

SECTION 2
Page 37
Release 2
Effective: 7-2-13

NORTHERN IDAHO
Issued: 5-31-13

2. GENERAL REGULATIONS

2.4 PAYMENT ARRANGEMENTS AND CREDIT ALLOWANCES

2.4.5 CREDIT ALLOWANCE FOR SERVICE INTERRUPTIONS

B. When a Credit Allowance Applies (Cont'd)

1. For Switched Access Service (including CCSAC) other than Entrance Facilities and Direct-Trunked Transport Facilities; and Switched Private Line Access Service, except FX Service, no credit shall be allowed for an interruption of less than 24 hours. The customer shall be credited for an interruption of 24 hours or more at the rate of 1/30 of (a) any applicable monthly rates or (b) the assumed minutes of use charge for each period of 24 hours or fraction thereof that the interruption continues.
2. For Switched Access Entrance Facilities, Direct-Trunked Transport Facilities and any optional multiplexing arrangements associated with such facilities, no credit shall be allowed for an interruption of less than 30 minutes. The customer shall be credited for an interruption of 30 minutes or more at the rate of 1/1440 of the monthly charges for each period of 30 minutes or major fraction thereof that the interruption continues. The monthly charge shall be the total of all the monthly rate element charges associated with that portion of the service (i.e., Entrance Facility, Direct-Trunked Transport Facility and Multiplexer) that is inoperative.
3. The credit allowance(s) for an interruption or for a series of interruptions shall not exceed (a) any applicable monthly rates or (b) the assumed minutes of use charge for the service interrupted in any one monthly billing period.
4. For Expanded Interconnection Service, no credit shall be allowed for an interruption of the EICT of less than four hours. The customer shall be credited for an interruption of four hours or more at the rate of 1/180 of the monthly charges for only the Expanded Interconnection Channel Terminations for each period of four hours or major fraction thereof that the interruption continues.

Qwest Corporation d/b/a CenturyLink QC
Access Service
Catalog No. 1

NORTHERN IDAHO
Issued: 5-31-13

SECTION 2
Page 38
Release 2
Effective: 7-2-13

Idaho Public Utilities Commission
Office of the Secretary
ACCEPTED FOR FILING (C)
July 2, 2013
Boise, Idaho

2. GENERAL REGULATIONS

2.4 PAYMENT ARRANGEMENTS AND CREDIT ALLOWANCES

2.4.5 CREDIT ALLOWANCE FOR SERVICE INTERRUPTIONS (Cont'd)

C. When a Credit Allowance Does Not Apply

No credit allowance will be made for:

1. Interruptions caused by the negligence of the customer.
2. Interruptions of a service due to the failure of equipment or systems provided by the customer or others.
3. Interruptions of a service during any period in which the Company is not afforded access to the premises where the service is terminated.
4. Interruptions of a service when the customer has released that service to the Company for maintenance purposes, to make rearrangements, or for the implementation of an order for a change in the service during the time that was negotiated with the customer prior to the release of that service. Thereafter, a credit allowance as set forth in B., preceding, applies.
5. Interruptions of a service which continue because of the failure of the customer to authorize replacement of any element of special construction, as set forth in 5.1.3, following, for Special Construction. The period for which no credit allowance is made begins on the seventh day after the customer receives the Company's written notification of the need for such replacement and ends on the day after receipt by the Company of the customer's written authorization for such replacement.
6. Periods when the customer elects not to release the service for testing and/or repair and continues to use it on an impaired basis.
7. Periods of temporary discontinuance as set forth in 2.2.1.B., preceding.
8. Periods of interruption as set forth in 12.3.1, following.
9. An interruption or a group of interruptions, resulting from a common cause that would amount to an adjustment of less than one dollar.

Qwest Corporation d/b/a CenturyLink QC
Access Service
Catalog No. 1

NORTHERN IDAHO
Issued: 5-31-13

SECTION 2
Page 39
Release 2
Effective: 7-2-13

Idaho Public Utilities Commission
Office of the Secretary
ACCEPTED FOR FILING (C)
July 2, 2013
Boise, Idaho

2. GENERAL REGULATIONS

2.4 PAYMENT ARRANGEMENTS AND CREDIT ALLOWANCES

2.4.5 CREDIT ALLOWANCE FOR SERVICE INTERRUPTIONS (Cont'd)

D. Use of an Alternative Service Provided by the Company

Should the customer elect to use an alternative service provided by the Company during the period that a service is interrupted, the customer must pay the listed rates and charges for the alternative service used.

E. Temporary Surrender of a Service

In certain instances, the customer may be requested by the Company to surrender a service for purposes other than maintenance, testing or activity relating to a service order. If the customer consents, a credit allowance will be granted. The credit allowance will be 1/1440 of the monthly rate for each period of 30 minutes or fraction thereof that the service is surrendered. In no case will the credit allowance exceed the monthly rate for the service surrendered in any one monthly billing period.

Qwest Corporation d/b/a CenturyLink QC
Access Service
Catalog No. 1

SECTION 2
Page 40
Release 2
Effective: 7-2-13

NORTHERN IDAHO
Issued: 5-31-13

2. GENERAL REGULATIONS

2.4 PAYMENT ARRANGEMENTS AND CREDIT ALLOWANCES (Cont'd)

2.4.6 REESTABLISHMENT OF SERVICE FOLLOWING FIRE, FLOOD OR OTHER OCCURRENCE

A. Nonrecurring Charges Do Not Apply

Charges do not apply for the reestablishment of service following a fire, flood or other occurrence attributed to an Act of God provided that:

1. The service is of the same type as was provided prior to the fire, flood or other occurrence.
2. The service is for the same customer.
3. The service is at the same location on the same premises.
4. The reestablishment of service begins within 60 days after Company service is available. (The 60 day period may be extended a reasonable period if the renovation of the original location on the premises affected is not practical within the allotted time period).

B. Nonrecurring Charges Apply

Nonrecurring Charges apply for establishing service at a different location on the same premises or at a different premises pending reestablishment of service at the original location.

2.4.7 TITLE OR OWNERSHIP RIGHTS

The payment of rates and charges by customers for the services offered under the provisions of this document does not assign, confer or transfer title or ownership rights to proposals or facilities developed or utilized, respectively, by the Company in the provision of such services.

Qwest Corporation d/b/a CenturyLink QC
Access Service
Catalog No. 1

NORTHERN IDAHO
Issued: 5-31-13

SECTION 2
Page 41
Release 2
Effective: 7-2-13

Idaho Public Utilities Commission
Office of the Secretary
ACCEPTED FOR FILING (C)
July 2, 2013
Boise, Idaho

2. GENERAL REGULATIONS

2.4 PAYMENT ARRANGEMENTS AND CREDIT ALLOWANCES (Cont'd)

2.4.8 ORDERING, RATING AND BILLING OF ACCESS SERVICES WHERE MORE THAN ONE EXCHANGE TELEPHONE COMPANY IS INVOLVED

The Multiple Exchange Carriers Access Billing Guidelines (MECAB) and the Multiple Exchange Carriers Ordering and Design Guidelines (MECOD) (See Reference to Technical Publications preceding for issue dates) are the standards on which the regulations in the following paragraphs are based. These standards determine the ordering, rating and billing for Access Services when the service is provided by more than one Exchange Telephone Company.

All information necessary for billing, ordering and design coordination will be provided based on the standards in the MECAB and MECOD guidelines to ensure that jointly provided Access Services are installed, tested and turned up in a timely manner.

A. Feature Group A Switched Access Service

1. The ordering, rating and billing of Feature Group A Switched Access Service will be based on revenue-sharing agreements between the Exchange Carriers jointly providing the service.
2. For Feature Group A Switched Access Service, the Exchange Telephone Company in whose territory the first point of switching is located will accept the order. In addition, the Exchange Telephone Company in whose territory the customer's POT is located must also receive a copy of the order from the customer.
3. The Exchange Telephone Company that accepts the order will then determine the charges involved, arrange to provide the Access Service ordered and bill the charges in accordance with its Access Service document.

Qwest Corporation d/b/a CenturyLink QC
Access Service
Catalog No. 1

SECTION 2
Page 42
Release 2
Effective: 7-2-13

NORTHERN IDAHO
Issued: 5-31-13

2. GENERAL REGULATIONS

2.4 PAYMENT ARRANGEMENTS AND CREDIT ALLOWANCES

2.4.8 ORDERING, RATING AND BILLING OF ACCESS SERVICES WHERE MORE THAN ONE EXCHANGE TELEPHONE COMPANY IS INVOLVED (Cont'd)

B. Feature Groups B, C and D Switched Access Service

When more than one Exchange Telephone Company is involved in the provision of Access Service, the customer requesting initial service will be notified in writing at least 30 days prior to the initial billing date which Exchange Telephone Company's set of terms and conditions apply, and of the billing arrangement for any jointly-provided Access Service ordered. Customers requesting additional service will not be notified unless a change in the existing billing arrangement is made. In the event of a change in the existing billing arrangement, the customer will be notified in writing at least 30 days prior to the date when the Exchange Telephone Companies involved in the provision of Access Service agree to change from one billing arrangement to another. Notification will also include the customer's method of payment.

1. Each Exchange Telephone Company involved shall receive a copy of the order. The Exchange Telephone Company that accepts the order and/or bills the customer is determined as follows:
 - a. FGB, FGC and FGD Ordered to an End Office - The Exchange Telephone Company where the end office is located will accept the order and bill the customer.
 - b. FGB, FGC and FGD Ordered to an Access Tandem - The Exchange Telephone Company that owns the access tandem will accept the order. The Exchange Telephone Company that owns the end office(s) that subtend the access tandem will bill the customer.
 - c. FGD Service ordered to a customer-provided tandem - The Exchange Telephone Company in whose territory the customer-provided tandem resides will accept the order. The Exchange Telephone Company that owns the equal access end office(s) that subtend the customer-provided tandem will bill the customer in accordance with the customer of record determination as set forth in 2.3.14, preceding.

Qwest Corporation d/b/a CenturyLink QC
Access Service
Catalog No. 1

SECTION 2
Page 43
Release 2
Effective: 7-2-13

NORTHERN IDAHO
Issued: 5-31-13

2. GENERAL REGULATIONS

2.4 PAYMENT ARRANGEMENTS AND CREDIT ALLOWANCES

2.4.8 ORDERING, RATING AND BILLING OF ACCESS SERVICES WHERE MORE THAN ONE EXCHANGE TELEPHONE COMPANY IS INVOLVED

B. Feature Groups B, C and D Switched Access Service (Cont'd)

2. Upon agreement between the Exchange Telephone Companies involved, a single bill will be rendered to the customer. The Exchange Telephone Company rendering the bill is the Exchange Telephone Company as determined in 1., preceding. There are three single bill alternatives that the Exchange Telephone Companies may agree to provide and are described following.

There are payment options with Alternatives No. 1 and 2. In the first payment option, the Exchange Telephone Companies can require the customer to remit payment via a single check to the bill rendering Exchange Telephone Company. In the second payment option, the Exchange Telephone Companies can require the customer to remit payment via multiple checks to all of the Exchange Telephone Companies jointly provisioning the Access Service to the customer.

a. Alternative No. 1[1]

The Exchange Telephone Company that will render the single bill will separately identify the rates and charges of each Exchange Telephone Company involved. The billing Exchange Telephone Company will maintain and administer in its billing system the applicable rates and charges for all of the involved Exchange Telephone Companies. The Exchange Telephone Companies not rendering the single bill will provide the interpretation and application of their document to the billing Exchange Telephone Company.

b. Alternative No. 2[2]

The Exchange Telephone Company that will render the single bill will receive a prepared bill from each involved Exchange Telephone Company. For Switched Access Service, the billing Exchange Telephone Company will receive prepared bills without usage data. The billing Exchange Telephone Company will then apply usage data to the bills, calculate the charges and combine all of the bills into one bill. For usage rated services, the billing Exchange Telephone Company and the non-billing Exchange Telephone Company will use the same amount of usage on the bill.

[1] Also termed Single Bill - Multiple Document

[2] Also termed Single Bill - Pass Through

Qwest Corporation d/b/a CenturyLink QC
Access Service
Catalog No. 1

NORTHERN IDAHO
Issued: 5-31-13

SECTION 2
Page 44
Release 2
Effective: 7-2-13

Idaho Public Utilities Commission
Office of the Secretary
ACCEPTED FOR FILING (C)
July 2, 2013
Boise, Idaho

2. GENERAL REGULATIONS

2.4 PAYMENT ARRANGEMENTS AND CREDIT ALLOWANCES

2.4.8 ORDERING, RATING AND BILLING OF ACCESS SERVICES WHERE MORE THAN ONE EXCHANGE TELEPHONE COMPANY IS INVOLVED

B.2. (Cont'd)

c. Alternative No. 3[1]

The Exchange Telephone Company that will render the single bill will include in its rates and charges the costs of each Exchange Telephone Company involved and will bill for the entire Access Service(s) ordered. For usage rated services, the billing Exchange Telephone Company and the non-billing Exchange Telephone Company will use the same amount of usage on the bill.

The rates and charges for each Exchange Telephone Company are based upon billing percentages. These billing percentages are agreed upon by each Exchange Telephone Company.

The customer will receive from the non-billing Exchange Telephone Company a written agency agreement authorizing payment to the billing Exchange Telephone Company.

3. If the Exchange Telephone Companies involved cannot agree upon a single bill alternative, then each Exchange Telephone Company will render a separate bill to the customer. This billing arrangement is described in 4., following.
4. When the Exchange Telephone Companies involved agree to render separate bills, the following regulations apply:
 - a. Each Exchange Telephone Company involved will accept the order from the customer.
 - b. Each Exchange Telephone Company will provide the portion of the Transport element in its operating territory and will bill the charges in accordance with its Access Service document. All other appropriate charges in each Exchange Telephone Company's document are applicable.
 - c. Each Exchange Telephone Company will render bills for nonrecurring charges as they are incurred. Bills for recurring rates will not be rendered until the service ordered can be provided by all of the Exchange Telephone Companies involved.

[1] Also termed Single Bill - Single Document

Qwest Corporation d/b/a CenturyLink QC
Access Service
Catalog No. 1

SECTION 2
Page 45
Release 3

NORTHERN IDAHO
Issued: 05-31-17

Effective: 07-01-17

Idaho Public Utilities Commission
Office of the Secretary
ACCEPTED FOR FILING
July 1, 2017
Boise, Idaho

2. GENERAL REGULATIONS

2.4 PAYMENT ARRANGEMENTS AND CREDIT ALLOWANCES

2.4.8 ORDERING, RATING AND BILLING OF ACCESS SERVICES WHERE MORE THAN ONE EXCHANGE TELEPHONE COMPANY IS INVOLVED

B.4. (Cont'd)

- d. Each Exchange Telephone Company will determine the appropriate Transport by computing the airline mileage between the two ends of the Transport element using the V & H method as set forth in 6.7.10, following.
 - e. Each Exchange Telephone Company will determine the rate for the airline mileage determined in d., preceding, using the Company's document. Multiply such rate by the Company's billing percentage factor and divide by 100 to obtain the Transport element charges.
- C. The billing percentages will be determined by the Exchange Telephone Companies involved.

(M)

(M)

(M) Material moved to Page 45.1.

NOTICE
THE INFORMATION CONTAINED IN THIS DOCUMENT IS SUBJECT TO CHANGE.
TRANSMITTAL NO. 17-05-NID

Qwest Corporation d/b/a CenturyLink QC

**Access Service
Catalog No. 1**

SECTION 2

Page 45.1

Release 1

NORTHERN IDAHO

Issued: 05-31-17

Effective: 07-01-17

2. GENERAL REGULATIONS

2.4 PAYMENT ARRANGEMENTS AND CREDIT ALLOWANCES

2.4.8 ORDERING, RATING AND BILLING OF ACCESS SERVICES WHERE MORE THAN ONE EXCHANGE TELEPHONE COMPANY IS INVOLVED (Cont'd)

D. When jointly provisioned Switched Access Service is provided between the Company and another Exchange Telephone Company, the appropriate Switched Access recurring rates will be applied based on the type of Switched Transport provided, Tandem-Switched Transport (TST) or Direct-Trunked Transport (DTT). Tandem 3rd Party rates apply to Terminating Traffic Types between the Company and another Exchange Telephone Company that is not a CenturyLink Operating Company (CLOC) ILEC.

(C-M)

(M)

(N)

(N)

For Switched Access Service provisioned as TST, the appropriate Switched Access recurring rates for Terminating – Tandem 3rd Party of Originating will be applied as follows: (1) multiply the Tandem Transmission fixed rate by the minutes of use (MOU) by the billing percentage (BP), (2) multiply the Tandem Transmission per-mile rate by the number of miles, by the MOU by the BP, (3) 100 percent of the Tandem Switching rate, if applicable, (4) 100 percent of the Entrance Facility (EF) rate, if applicable (i.e., if the EF is in Company territory), and (5) all other appropriate Switched Access recurring rate elements at 100 percent, if applicable (e.g., Local Switching).

(M)

(C-M)

(M)

For Switched Access Service provisioned as DTT, the recurring rates will be applied as follows: (1) multiply the monthly Transport Channel fixed rate by the BP, (2) multiply the monthly Transport Channel per-mile rate by the number of miles, by the BP, (3) 100 percent of the EF rate, if applicable, and (4) all other appropriate Switched Access recurring rate elements at 100 percent, if applicable (e.g., Local Switching).

(M)

The Exchange Telephone Company that owns the access tandem will assess the appropriate access tandem Terminating – Tandem 3rd Party or Originating recurring rates at 100 percent. The Exchange Telephone Company that owns the end office will assess the appropriate end office recurring rates at 100 percent.

(N)

(N)

(M) Material moved from Page 45.

Qwest Corporation d/b/a CenturyLink QC
Access Service
Catalog No. 1

SECTION 2
Page 46
Release 3
Effective: 07-01-17

NORTHERN IDAHO
Issued: 05-31-17

2. GENERAL REGULATIONS

2.4 PAYMENT ARRANGEMENTS AND CREDIT ALLOWANCES

2.4.8 ORDERING, RATING AND BILLING OF ACCESS SERVICES WHERE MORE THAN ONE EXCHANGE TELEPHONE COMPANY IS INVOLVED (Cont'd)

- E. When jointly provisioned Switched Access Service is provided and the Company is the intermediate non-terminating carrier, only the recurring Tandem Transmission per-mile rate for Terminating – Tandem 3rd Party or Originating or DTT per-mile rate for Switched Access Service or the recurring Transport Facilities-per mile rate for Private Line Access Service or Switched Private Line Access-Foreign Exchange Service will apply. The Tandem Transmission Originating per-mile rate or Tandem Transmission Terminating – Tandem 3rd Party per mile rate or DTT per-mile rate will be determined by multiplying the appropriate rate by the MOU by the number of miles, by the BP. The DTT per-mile rate will be determined by multiplying the appropriate DTT per-mile monthly rate by the number of miles by the BP. If the Company provides the access Tandem, all appropriate access Tandem 3rd Party recurring rates will apply. The Tandem Switching rate will be determined by multiplying the appropriate rate by the MOU. (C)

When the Company is the intermediate non-terminating carrier, all mileage rate elements will be applied at the Zone Three rate.

- F. When jointly provisioned Access Service is provided between the Company and another Exchange Telephone Company, or when the Company is the intermediate non-terminating carrier, the appropriate nonrecurring charges will be applied at 100 percent as set forth in Section 6, following.

2. GENERAL REGULATIONS

2.4 PAYMENT ARRANGEMENTS AND CREDIT ALLOWANCES

2.4.8 ORDERING, RATING AND BILLING OF ACCESS SERVICES WHERE MORE THAN ONE EXCHANGE TELEPHONE COMPANY IS INVOLVED (Cont'd)

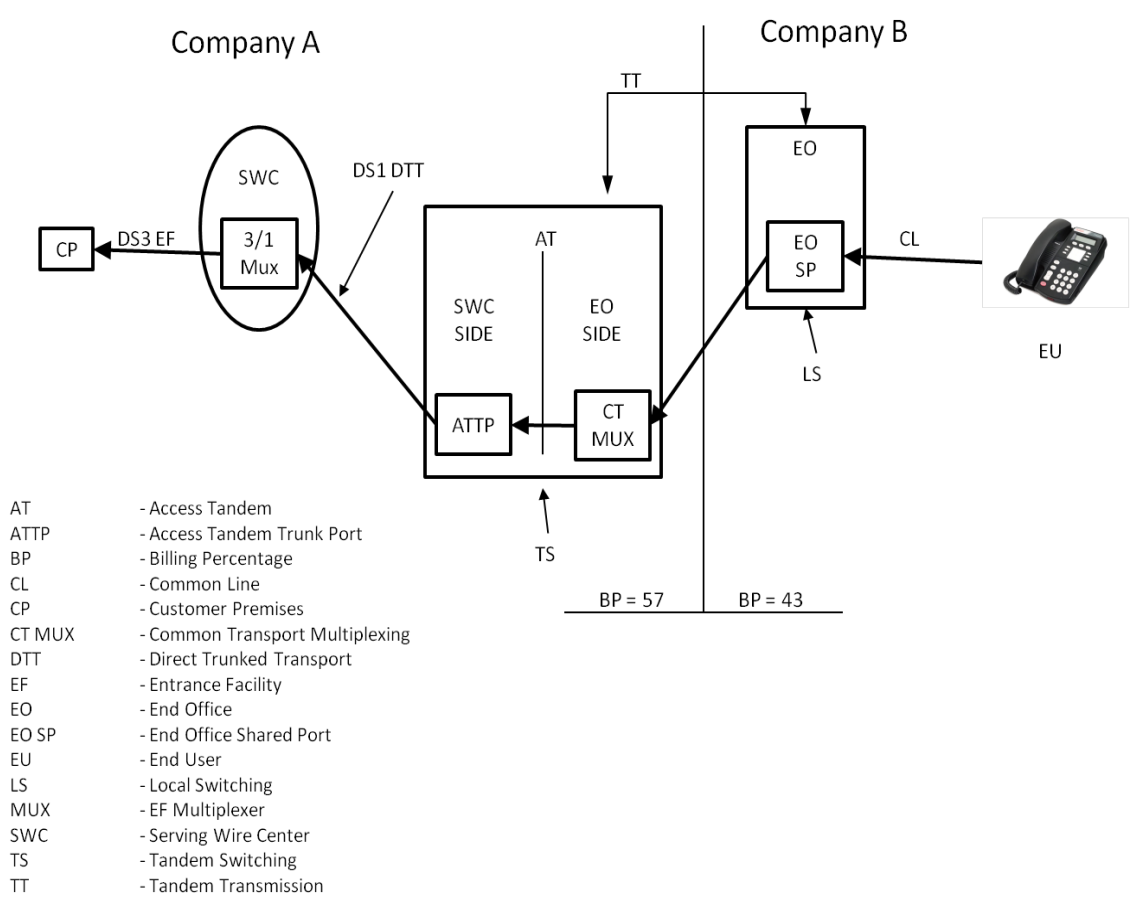
G. Examples - Switched Access provisioned by Direct Trunked Transport and Tandem Switched Transport

(C)
(C)

Feature Group D Access Service Ordered

Example 1

(N)



(C)

(C)

Qwest Corporation d/b/a CenturyLink QC
Access Service
Catalog No. 1

SECTION 2
Page 48
Release 3
Effective: 07-01-17

Idaho Public Utilities Commission
Office of the Secretary
ACCEPTED FOR FILING
July 1, 2017
Boise, Idaho

NORTHERN IDAHO
Issued: 05-31-17

2. GENERAL REGULATIONS

2.4 PAYMENT ARRANGEMENTS AND CREDIT ALLOWANCES

2.4.8 ORDERING, RATING AND BILLING OF ACCESS SERVICES WHERE MORE THAN ONE EXCHANGE TELEPHONE COMPANY IS INVOLVED

G. Examples - Switched Access provisioned as Tandem-Switched Transport (Cont'd)

1. Example 1 Layout (C)
 - a. Originating Feature Group D Switched Access Service is ordered to an end office via DTT & TST. Originating rates would apply. (C)
(C)
 - b. The premises of ordering customer, the serving wire center (SWC) of that premises, and the access tandem are in operating territory of Company A. (C)
 - c. The customer orders a DS3 Entrance Facility from the customer's premises to the SWC with a 3/1 Mux in the SWC. (C)
 - d. The customer orders a DS1 DTT to the AT. (C)
 - e. The BP for TST is 57 for Company A. (N)
 - f. The end office is in the operating territory of Company B. (C)
 - g. The BP for transport is 43 for Company B. (C)
2. Rate elements assessed per Telephone Company (C)
 - a. Company A (C)

Entrance Facility	- 100% of DS1 monthly Entrance Facility rate
Tandem Transmission	- Fixed rate X MOU X BP
Tandem Transmission	- Per-mile rate X number of miles X MOU X BP
Tandem Switching	- MOU rate X MOU
 - b. Exchange Telephone Company B (C)

Tandem Transport	- Transport rate X MOU X BP
Local Switching	- MOU rate X MOU
Carrier Common Line	- MOU rate X MOU

NOTICE
THE INFORMATION CONTAINED IN THIS DOCUMENT IS SUBJECT TO CHANGE.
TRANSMITTAL NO. 17-05-NID

2. GENERAL REGULATIONS

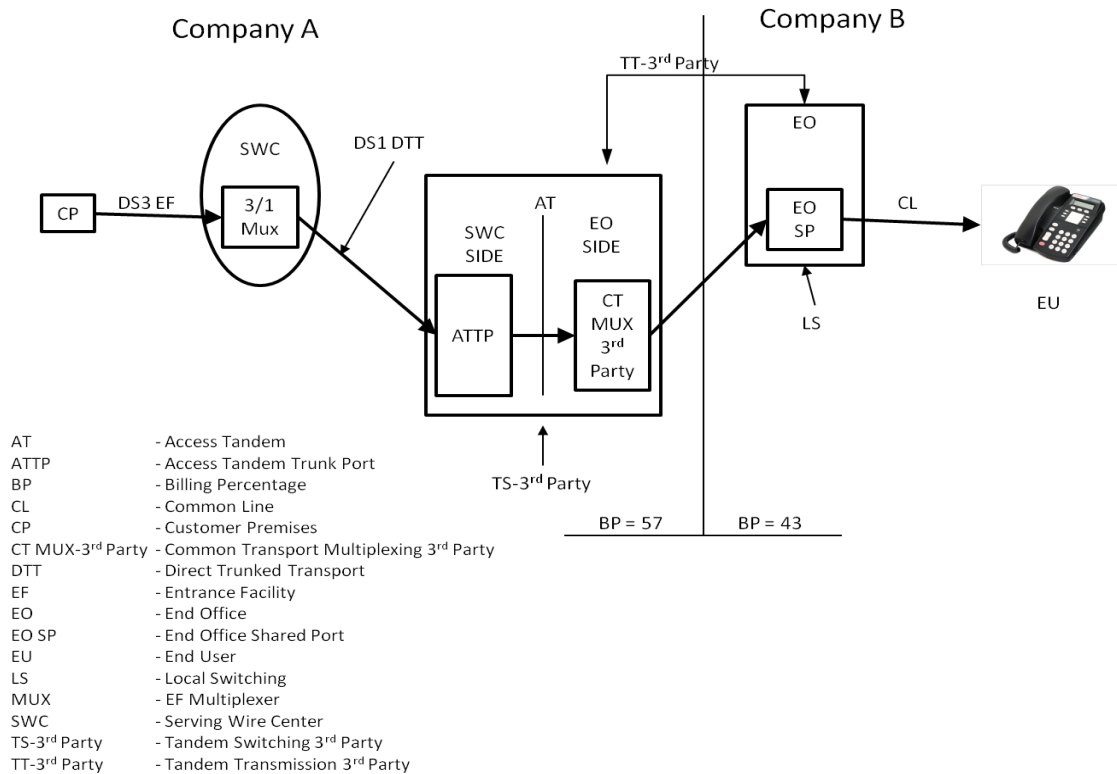
2.4 PAYMENT ARRANGEMENTS AND CREDIT ALLOWANCES

2.4.7 ORDERING, RATING AND BILLING OF ACCESS SERVICES WHERE MORE THAN ONE EXCHANGE TELEPHONE COMPANY IS INVOLVED

G. Examples - Switched Access provisioned by Direct Trunked Transport and Tandem Switched Transport (Cont'd)

Feature Group D Access Service Ordered

Example 2



(N)

(N)

Qwest Corporation d/b/a CenturyLink QC
Access Service
Catalog No. 1

SECTION 2
Page 48.2
Release 2
Effective: 3-12-18

Idaho Public Utilities Commission
Office of the Secretary
ACCEPTED FOR FILING
March 12, 2018
Boise, Idaho

NORTHERN IDAHO
Issued: 3-2-18

2. GENERAL REGULATIONS

2.4 PAYMENT ARRANGEMENTS AND CREDIT ALLOWANCES

2.4.7 ORDERING, RATING AND BILLING OF ACCESS SERVICES WHERE MORE THAN ONE EXCHANGE TELEPHONE COMPANY IS INVOLVED

G. Examples - Switched Access provisioned by Direct Trunked Transport and Tandem Switched Transport (Cont'd)

3. Example 2 Layout

- a. Terminating Feature Group D Switched Access is ordered to an end office via DTT & TST. Terminating – Tandem 3rd Party rates would apply. (T)
- b. The premises of ordering customer, the serving wire center (SWC) of that premises, and the access tandem are in operating territory of Company A.
- c. The customer orders a DS3 Entrance Facility from the customer's premises to the SWC with a 3/1 Mux in the SWC.
- d. The customer orders a DS1 DTT to the AT.
- e. The BP for TT is 57 for Company A.
- f. Company B is not a CLOC ILEC.
- g. The end office is in the operating territory of Company B.
- h. The BP for transport is 43 for Company B.

2. GENERAL REGULATIONS

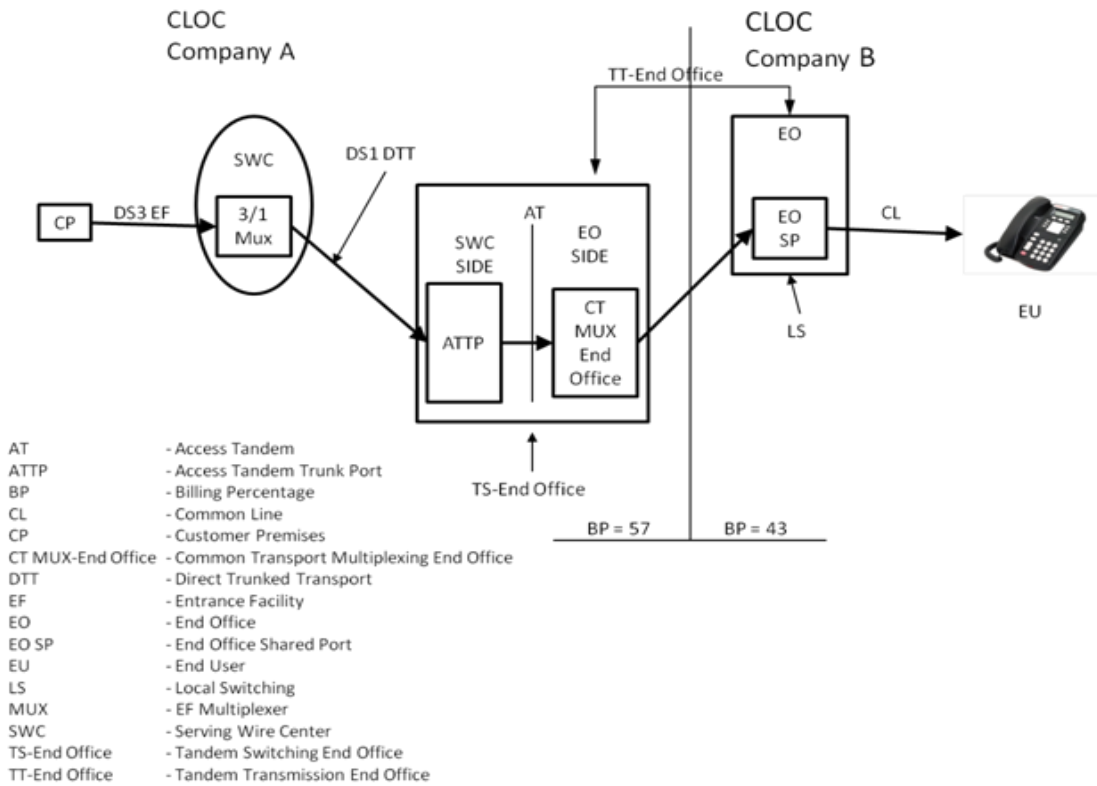
2.4 PAYMENT ARRANGEMENTS AND CREDIT ALLOWANCES

2.4.7 ORDERING, RATING AND BILLING OF ACCESS SERVICES WHERE MORE THAN ONE EXCHANGE TELEPHONE COMPANY IS INVOLVED

G. Examples - Switched Access provisioned by Direct Trunked Transport and Tandem Switched Transport (Cont'd)

Feature Group D Access Service Ordered

Example 3



(N)

(N)

Qwest Corporation d/b/a CenturyLink QC
Access Service
Catalog No. 1

SECTION 2
Page 48.4
Release 1

NORTHERN IDAHO
Issued: 05-31-17

Effective: 07-01-17

Idaho Public Utilities Commission
Office of the Secretary
ACCEPTED FOR FILING
July 1, 2017
Boise, Idaho

2. GENERAL REGULATIONS

2.4 PAYMENT ARRANGEMENTS AND CREDIT ALLOWANCES

2.4.7 ORDERING, RATING AND BILLING OF ACCESS SERVICES WHERE MORE THAN ONE EXCHANGE TELEPHONE COMPANY IS INVOLVED

G. Examples - Switched Access provisioned by Direct Trunked Transport and Tandem Switched Transport (Cont'd)

4. Example 3 Layout

- a. Terminating Feature Group D Switched Access is ordered to an end office via DTT & TST. Terminating – Tandem End Office rates would apply
- b. The premises of ordering customer, the serving wire center (SWC) of that premises, and the access tandem are in operating territory of Company A.
- c. The customer orders a DS3 Entrance Facility from the customer's premises to the SWC with a 3/1 Mux in the SWC.
- d. The customer orders a DS1 DTT to the AT.
- e. The BP for TT is 57 for Company A.
- f. Company B is a CLOC ILEC.
- g. The end office is in the operating territory of Company B.
- h. The BP for transport is 43 for Company B.

(N)

(N)

Qwest Corporation d/b/a CenturyLink QC
Access Service
Catalog No. 1

SECTION 2
Page 49
Release 3
Effective: 07-01-17

NORTHERN IDAHO
Issued: 05-31-17

Idaho Public Utilities Commission
Office of the Secretary
ACCEPTED FOR FILING
July 1, 2017
Boise, Idaho

2. GENERAL REGULATIONS

2.4 PAYMENT ARRANGEMENTS AND CREDIT ALLOWANCES (Cont'd)

2.4.9 ORDERING, RATING AND BILLING OF SWITCHED ACCESS SERVICE PROVIDED IN CONJUNCTION WITH A COMMERCIAL MOBILE RADIO SERVICE PROVIDER

When Switched Access Service is ordered by a customer in conjunction with a Commercial Mobile Radio Service provider, the Company will provide its portion of the Switched Access Service based on the regulations, rates and charges contained in this Catalog, subject to the following rules.

- A. If the Company and the Commercial Mobile Radio Service provider have agreed to jointly provide the Switched Access Service, the Meet Point Billing provisions as set forth in 2.4.8, preceding, shall determine the ordering, rating and billing for access services.

If the Company and the Commercial Mobile Radio Service provider have not agreed to jointly provide the Switched Access Service under the provisions of Meet Point Billing, the Company shall provide the Switched Access Service to the carrier subject to the following rules.

- If the Company provides the Switched Transport and provides end office local switching functions, the customer will be assessed all applicable Switched Access Service rates (i.e., Switched Transport and Local Switching). Carrier Common Line rates will not be assessed.
- If the Company provides the Switched Transport and does not provide end office local switching functions, the Company will assess all applicable Switched Access charges, including the Switched Transport Tandem 3rd Party charges. (C)

- B. The mileage to be used to determine the Switched Transport rate is calculated as set forth in 6.7.10, following.

Qwest Corporation d/b/a CenturyLink QC
Access Service
Catalog No. 1

NORTHERN IDAHO
Issued: 5-31-13

SECTION 2
Page 50
Release 2
Effective: 7-2-13

Idaho Public Utilities Commission
Office of the Secretary
ACCEPTED FOR FILING (C)
July 2, 2013
Boise, Idaho

2. GENERAL REGULATIONS

2.5 CONNECTIONS

2.5.1 GENERAL

Equipment and Systems (i.e., terminal equipment, multiline terminating systems and communications systems) may be connected with Switched Access Service furnished by the Company where such connection is made in compliance with CFR 47 Part 68 of the F.C.C.'s Rules and Regulations (commonly known as the F.C.C.'s Registration Program), and in accordance with the provisions specified in Technical Reference Publication AS No. 1 and in 2.1, preceding. Company provided Protective Connecting Arrangements (PCAs) are offered subject to their availability on a grandfathered basis from 12.4.1, following.

2. GENERAL REGULATIONS

2.6 DEFINITIONS

Certain terms used herein are defined as follows:

Acceptance Limit

Denotes the performance level at which a circuit is placed into service.

Access Code

Denotes a uniform seven digit code assigned by the Company to an individual customer. The seven digit code has the form 950-XXXX or 101XXXX.

Access Minutes

Denotes that usage of exchange facilities in intrastate service for the purpose of calculating chargeable usage. On the originating end of an intrastate call, usage is measured from the time the originating end user's call is delivered by the Company to and acknowledged as received by the customer's facilities connected with the originating exchange. On the terminating end of an intrastate call, usage is measured from the time the call is received by the end user in the terminating exchange. Timing of usage at both originating and terminating ends of an intrastate call shall terminate when the calling or called party disconnects, whichever event is recognized first in the originating and terminating exchanges, as applicable.

Access Service Group (ASG)

Denotes a group of like Access Services ordered to an end office or access tandem switch (for Feature Groups B, C or D) or to a dial tone office.

Access Tandem (AT)

Denotes a Company or Exchange Telephone Company switching system that provides a concentration and distribution function for originating or terminating traffic between end offices and a customer's POT.

2. GENERAL REGULATIONS

2.6 DEFINITIONS (Cont'd)

Access Transport Parameter (ATP)

Denotes the SS7 Out of Band Signaling parameter which provides the automatic transmission of information from the originating calling location through the Common Channel Signaling Network. Information supplied using ATP may consist of one or more of the following: Called Party Subaddress; Calling Party Subaddress; High and Low Layer Compatibility and Compatibility Checking by the called party's equipment.

Answer/Disconnect Supervision

Denotes the transmission of the switch trunk equipment supervisory signal (off-hook or on-hook) to the customer's POT as an indication that the called party has answered or disconnected.

Attenuation Distortion

Denotes the differences in loss at specified frequencies relative to the loss at 1004 Hz, unless otherwise specified.

Balance (100 Type) Test Line

Denotes an arrangement in an end office which provides for balance and noise testing.

Bit

Denotes the smallest unit of information in the binary system of notation.

Business Day

Denotes the times of day that a company is open for business. Generally, in the business community, these are 8:00 or 9:00 a.m. to 5:00 or 6:00 p.m., respectively, with an hour for lunch, Monday through Friday, resulting in a standard forty (40) hour work week. However, Business Day hours for the Company may vary based on company policy, union contract and location.

Qwest Corporation d/b/a CenturyLink QC
Access Service
Catalog No. 1

NORTHERN IDAHO
Issued: 5-31-13

SECTION 2
Page 53
Release 2
Effective: 7-2-13

Idaho Public Utilities Commission
Office of the Secretary
ACCEPTED FOR FILING (C)
July 2, 2013
Boise, Idaho

2. GENERAL REGULATIONS

2.6 DEFINITIONS (Cont'd)

Busy Hour Minutes Of Capacity (BHMC)

Denotes the customer specified maximum amount of Switched Access Service access minutes the customer expects to be handled in an end office switch during any hour in an 8:00 a.m. to 11:00 p.m. period for the Feature Group ordered. This customer furnished BHMC quantity is the input data the Company uses to determine the number of transmission paths for the Feature Group ordered.

Call

Denotes a customer attempt for which the complete address code (e.g., 0-, 911, or 10 digits) is provided to the serving dial tone office.

Calling Party Number (CPN)

Denotes the SS7 Out of Band Signaling parameter which automatically transmits the calling party's ten digit telephone number to the customer's premises for calls originating in the LATA.

Carrier or Common Carrier

See "Interexchange Carrier".

Carrier Selection Parameter (CSP)

Denotes the SS7 Out of Band Signaling parameter which identifies whether the dialing end user accessed the customer's network through a presubscribed line or by dialing the customer's 101XXXX code.

Qwest Corporation d/b/a CenturyLink QC
Access Service
Catalog No. 1

NORTHERN IDAHO
Issued: 5-31-13

SECTION 2
Page 54
Release 2
Effective: 7-2-13

Idaho Public Utilities Commission
Office of the Secretary
ACCEPTED FOR FILING (C)
July 2, 2013
Boise, Idaho

2. GENERAL REGULATIONS

2.6 DEFINITIONS (Cont'd)

CCS

Denotes a hundred call seconds, which is a standard unit of traffic load measurement that is equal to 100 seconds of usage or capacity of a group of servers (e.g., trunks).

Central Office (CO)

Denotes a local switching unit providing local telephone service to customers within an exchange or wire center serving area. More than one Central Office may be located in the same wire center.

Central Office Prefix

Denotes the first three digits (NXX) of the seven digit telephone number assigned to a customer's telephone exchange service when dialed on a local basis.

Centralized Automatic Reporting On Trunks (CAROT) Testing

Denotes a type of testing which includes the capacity for measuring operational and transmission parameters of usage message circuits.

Charge Number (CN)

Denotes the SS7 Out of Band Signaling parameter which is equivalent to the ten digit ANI telephone number.

2. GENERAL REGULATIONS

2.6 DEFINITIONS (Cont'd)

C-Message Noise

Denotes frequency weighted average noise which takes into consideration the electrical/acoustical properties of the 500-type telephone set and the human ear.

C-Notched Noise

Denotes the C-message frequency weighted noise on a voice channel with a holding tone, which is removed at the measuring end through a notch (very narrow band) filter.

Circuit

Denotes facilities and/or equipment necessary to provide a specific service.

Commercial Mobile Radio Service (CMRS) Provider

Denotes a common carrier as defined by the Federal Communications Commission subject to the Rules set forth in Section 332 of the Communications Act.

Common Channel Signaling Access Capability (CCSAC)

Denotes the interconnection between the Company's CCSN and a customer's CCSN.

Common Channel Signaling Network (CCSN)

Denotes a specialized digital signaling network separate from the regular message (voice) network which interconnects computerized switching systems and has access to special data bases.

Qwest Corporation d/b/a CenturyLink QC
Access Service
Catalog No. 1

NORTHERN IDAHO
Issued: 5-31-13

SECTION 2
Page 56
Release 2
Effective: 7-2-13

Idaho Public Utilities Commission
Office of the Secretary
ACCEPTED FOR FILING (C)
July 2, 2013
Boise, Idaho

2. GENERAL REGULATIONS

2.6 DEFINITIONS (Cont'd)

Common Line (CL)

Denotes a line, trunk or other facility terminated on a central office switch.

Communication System

Denotes channels and other facilities which are capable of communications between terminal equipment provided by other than the Company.

Contact Closure

Denotes the low resistance short provided by a pair of electrical contacts which indicate a change in signaling states on a circuit.

Contract

Denotes the service agreement between a customer and the Company under which facilities for communication between specified locations, for designated periods, and for the use of the customer and the authorized users specifically named in the contract are furnished in accordance with the provisions of this document.

Customer(s)

Denotes any individual, partnership, association, joint-stock company, trust, corporation, governmental entity or any other entity which subscribes to the services offered under this document based on the Application of Catalog as set forth in 1.1, preceding.

2. GENERAL REGULATIONS

2.6 DEFINITIONS (Cont'd)

Customer-provided Tandem

Denotes a customer-provided switching system that provides a concentration and distribution function of originating or terminating traffic between a Company equal access end office(s) subtending the customer-provided tandem at the customer's POT.

Data Transmission (107 Type) Test Line

Denotes an arrangement which provides test signals for one-way testing of data and voice transmission parameters.

Decibel (dB)

Denotes a unit of signal power used to express the relationship between two signal powers usually between acoustic, electric or optical signals, equal to ten (10) times the common logarithm of the ratio of two signal powers.

Decibel Milliwatt (dBm)

Denotes a unit for expression of power level in decibels relative to one milliwatt.

Decibel Reference Noise (dBrn)

Denotes a unit used to express noise power relative to one picowatt (-90 dBm).

Decibel Reference Noise C-Message Referenced To 0 (dBrnc0)

Denotes noise power in "dBrnc" referred to or measured at a zero transmission level point (0 TLP).

Decibel Reference Noise C-Message Weighting (dBrnc)

Denotes noise power in dBrn measured with C-Message weighting.

2. GENERAL REGULATIONS

2.6 DEFINITIONS (Cont'd)

Demarcation Point

See Point of Termination (POT)

Design Layout Report (DLR)

A document which describes the circuit provided by the Company and matches the service ordered by the customer.

Detail Billing

Denotes the listing of each message and/or rate element for which charges to a customer are due on a bill prepared by the Company.

Dial Pulse Address Signaling

Denotes the transmission of number information, e.g., called number, between the end office switching systems and the customer's premises (in either direction) by means of direct current impulses.

Direct-Trunked Transport (DTT)

Denotes the following: (1) the transport between the SWC of the customer's premises and a Company end office, Company Hub or Company access tandem or between a Company Hub and a Company end office or Company access tandem on circuits dedicated to the use of a single customer, without switching at the Company access tandem or, 2) the transport with Tandem Signaling Information (i.e., CIC and OZZ codes or equivalent SS7 parameters) between the SWC of the customer-provided tandem premises and a Company equal access end office subtending the customer-provided tandem or a Company Hub or between a Company Hub and a Company equal access end office subtending the customer-provided tandem.

2. GENERAL REGULATIONS

2.6 DEFINITIONS (Cont'd)

Dual Tone Multifrequency (DTMF) Address Signaling

Denotes a type of signaling that is an Optional Feature of Switched Access Feature Group A. It may be utilized when Feature Group A is being used in the terminating direction (from the POT with the customer to the local exchange end office). An office arranged for Dual Tone Multifrequency Signaling would expect to receive address signals from the customer in the form of Dual Tone Multifrequency Signals.

E&M Signaling Arrangements

Denotes a method of transmitting supervisory information.

Echo Control

Denotes the control of reflected electrical energy in a telephone transmission path.

Echo Path Loss (EPL)

Denotes the level of reflected signal at a four-wire POT without reference to the send and receive Transmission Level.

Echo Return Loss (ERL)

Denotes a frequency weighted measurement of return loss over the middle of the voiceband (approximately 500 to 2500 Hz), where talker echo is most annoying.

Effective Two-Wire

Denotes an arrangement which simulates a two-wire transmission path.

Qwest Corporation d/b/a CenturyLink QC

**Access Service
Catalog No. 1**

SECTION 2

Page 60

Release 3

NORTHERN IDAHO
Issued: 6-10-2021

Effective: 7-01-2021

2. GENERAL REGULATIONS

2.6 DEFINITIONS (Cont'd)

Effective Four-Wire

Denotes an arrangement which permits the simultaneous independent transmission of information in both directions over a channel. The method of implementing effective four-wire transmission is at the discretion of the Company (physical, time domain, frequency-domain separation or echo cancellation techniques). Effective four-wire channels may be terminated with a two-wire interface at the customer's premises. However, when terminated two-wire, simultaneous independent transmission cannot be supported because the two-wire interface combines the transmission paths into a single path.

800 Data Base Access Service

Denotes a toll-free originating Trunkside Access Service when the 8XX service access code (i.e., 800, 822, 833, 844, 855, 866, 877 or 888, as available) is used. The terms **8XX and 8YY** are used interchangeably with 800 Data Base Access Service throughout this document to describe this service.

(C)

8XX Service Provider.

Denotes a telecommunications company, including Exchange and Interexchange Carriers, that offers 8XX service to subscribers.

End Office Switch

Denotes a local Company switching system where telephone exchange service customer station loops are terminated for purposes of interconnection to trunks. Included are Remote Switching Modules and Remote Switching Systems served by a host office in a different wire center.

Qwest Corporation d/b/a CenturyLink QC
Access Service
Catalog No. 1

NORTHERN IDAHO
Issued: 5-31-13

SECTION 2
Page 61
Release 2
Effective: 7-2-13

Idaho Public Utilities Commission
Office of the Secretary
ACCEPTED FOR FILING (C)
July 2, 2013
Boise, Idaho

2. GENERAL REGULATIONS

2.6 DEFINITIONS (Cont'd)

End User (EU)

Denotes any customer of an intrastate telecommunications service that is not a carrier, except that a carrier (other than a Company) shall be deemed to be an "end user" when such carrier uses a telecommunications service for administrative purposes and a person or entity that offers telecommunications services exclusively as a reseller shall be deemed to be an "end user" if all resale transmissions offered by such reseller originates or terminates on the premises of such reseller.

Entrance Facility (EF)

Denotes the dedicated Switched Access transport facility from the customer's premises or point of demarcation to the Company's SWC.

Exit Message (EXM)

Denotes a SS7 message sent to an end office by the Company's access tandem switch or a customer-provided tandem switch to mark the carrier connect time when the Company's access tandem switch or a customer-provided tandem switch sends an Initial Address Message to the IC.

Expected Measured Loss (EML)

Denotes a calculated loss which specifies the 1004-Hz loss between two test points. It is the sum of the inserted connection loss and test access loss including any test pads.

Qwest Corporation d/b/a CenturyLink QC
Access Service
Catalog No. 1

SECTION 2
Page 62
Release 4
Effective: 1-1-17

NORTHERN IDAHO
Issued: 12-15-16

2. GENERAL REGULATIONS

2.6 DEFINITIONS (Cont'd)

Facility Signaling Point of Interconnection (FSPOI)

The term Facility Signaling Point of Interconnection (FSPOI) denotes a Company designated ordering point within a Company LATA to which customers may establish SS7 Signaling connections.

(D)
—
(D)

First-Come, First-Served

Denotes a procedure followed when the first order received will be the first order processed.

First Point Of Switching

Denotes the first Company location at which switching occurs on the terminating path of a call proceeding from the customer's premises to the terminating end office and, at the same time, the last Company location at which switching occurs on the originating path of a call proceeding from the originating end office to the customer's premises.

Frequency Shift

Denotes the change in the frequency of a tone as it is transmitted over a channel.

Grandfathered

Denotes certain services offered in other sections of this document that are provided to existing customers only and not provided to new customers or to existing customers who move from one premises to another.

Qwest Corporation d/b/a CenturyLink QC
Access Service
Catalog No. 1

SECTION 9
Page 63
Release 2
Effective: 7-2-13

NORTHERN IDAHO
Issued: 5-31-13

Idaho Public Utilities Commission
Office of the Secretary
ACCEPTED FOR FILING (C)
July 2, 2013
Boise, Idaho

2. GENERAL REGULATIONS

2.6 DEFINITIONS (Cont'd)

Host Office

Denotes an electronic switching system which provides call processing capabilities for one or more Remote Switching Modules or Remote Switching Systems.

Hub

Denotes a Company designated wire center at which bridging, multiplexing or connections to other services are performed.

Immediate Action Limit

Denotes the performance level at which immediate corrective action is required by maintenance personnel.

Immediately Available Funds

Denotes a corporate or personal check drawn on a bank account and funds which are available for use by the receiving party on the same day on which they are received and include U.S. Federal Reserve bank wire transfers, U.S. Federal Reserve notes (paper cash), U.S. coins, U.S. Postal Money Orders and New York Certificates of Deposit.

Impedance Balance

Denotes the method of expressing Echo Return Loss and Singing Return Loss at a four-wire interface whereby the gains and/or loss of the four-wire portion of the transmission path, including the hybrid, are not included in the specification.

2. GENERAL REGULATIONS

2.6 DEFINITIONS (Cont'd)

Impulse Noise

Denotes any momentary occurrence of the noise on a channel over a specified level threshold. It is evaluated by counting the number of occurrences which exceed a specified threshold.

Individual Case Basis (ICB)

Denotes a condition in which the regulations, if applicable, rates and charges for an offering under the provisions of this document are developed based on the circumstances in each case.

Initial Address Message (IAM)

Denotes a SS7 signaling message that contains the address and routing information required to establish a point-to-point telephone connection.

Inserted Connection Loss (ICL)

Denotes the 1004 Hz power difference (in dB) between two points excluding any switching loss.

Integrated Service Digital Network User Part (ISUP)

Denotes protocol that provides the mechanism for establishing the connections from the originating exchange to the destination exchange, without using the bearer circuit itself.

Interexchange Carrier (IC) or Interexchange Common Carrier

Denotes any individual, partnership, association, joint-stock company, trust, governmental entity or corporation engaged for hire in intrastate communication by wire, fiber optics or radio between two or more exchanges.

2. GENERAL REGULATIONS

2.6 DEFINITIONS (Cont'd)

Intermodulation Distortion

Denotes a measure of the nonlinearity of a channel. It is measured using four tones, and evaluating the ratios (in dB) of the transmitted composite four-tone signal power to the second-order products of the tones (R2), and the third-order products of the tones (R3).

Interstate Communications

Denotes both interstate and foreign communications.

Intrastate Communications

Denotes any communications within a state subject to oversight by a state regulatory commission as provided by the laws of the state involved.

Intrastate InterLATA Communications

Refers to the conveyance of information from a point of origin in one LATA within the state of Idaho to a termination in another LATA within the state of Idaho regardless of where the communications are routed between the point of origin and point of termination.

Intrastate IntraLATA Communications

Refers to the conveyance of information between points in the same LATA within the state of Idaho regardless of where the communications are routed between these points.

2. GENERAL REGULATIONS

2.6 DEFINITIONS (Cont'd)

Lineside Connection

Denotes a connection of a transmission path to the dial tone side of a local exchange switching system.

Line-Type Connection

Denotes a connection between a station at a customer's premises and a CO. These are connected on the dial tone side of the CO.

Local Access and Transport Area (LATA)

Denotes a geographic area established for the provision and administration of communications service. It encompasses one or more designated exchanges, which are grouped to serve common social, economic and other purposes.

Local Calling Area

Denotes a geographical area, as defined in the Company's Exchange and Network Services Catalog, in which an end user (telephone exchange service subscriber) may complete a call without incurring MTS charges. This includes Extended Area Service Points.

Local Tandem Switch

Denotes a local Company switching unit by which local or access telephonic communications are switched to and from an End Office Switch.

2. GENERAL REGULATIONS

2.6 DEFINITIONS (Cont'd)

Loop Around Test Line

Denotes an arrangement utilizing a Company CO to provide a means to make certain two-way transmission tests on a manual basis. This arrangement has two CO terminations, each reached by means of separate telephone numbers and does not require any specific customer premises equipment. Equipment subject to this test arrangement is at the discretion of the customer.

Loss Deviation

Denotes the variation of the actual loss from the designed value.

Maintenance of Service

Maintenance of Service denotes an occurrence of a visit to a customer's premises in connection with a service difficulty when it is determined that the difficulty is due to a condition in customer-provided facilities, terminal equipment, a communication system or for customer-maintained premises wire. When a Maintenance of Service visit is made, Premises Work Charges will apply.

Message

Denotes a "call" as defined preceding.

Milliwatt (102 Type) Test Line

Denotes an arrangement in an end office which provides a 1004 Hz tone at 0 dBmO for one-way transmission measurements towards the customer's premises from the Company end office.

2. GENERAL REGULATIONS

2.6 DEFINITIONS (Cont'd)

Mobile Telephone Switching Office (MTSO)

Denotes the switching facility used by a CMRS provider in performing originating and terminating switching functions for calls exchanged between their customers, the Company customers, Interexchange Carriers and Independent Company customers.

Modification of Final Judgment (MFJ)

Denotes the consent decree approved by the U.S. District Court in United States versus Western Electric 552 F. Supp. 171 (To D.C. 1982).

Move

A move involves a change in the physical location of the POT at the customer's designated premises.

Multifrequency (MF) Address Signaling

Denotes a signaling method in which a combination of two out of six Voiceband frequencies are used to represent a digit or a control signal.

Multiplexing

Denotes a method of concentrating information via signal processing techniques (i.e., frequency division, multiplexing, time division multiplexing, etc.)

2. GENERAL REGULATIONS

2.6 DEFINITIONS (Cont'd)

Network Control Signaling

Denotes the transmission of signals used in the telecommunications system which perform functions such as supervision (control, status and charge signals), address signaling (e.g., dialing), calling and called number identifications, rate of flow, service selection error control and audible tone signals (call progress signals indicating reorder or busy conditions, alerting, coin denominations, coin collect and coin return tones) to control the operation of the telecommunications system.

Network Interface (NI)

See Point of Termination (POT).

Non-8YY

All calls that are not toll free (8YY) as established by the FCC's 8YY Access Charge Reform Order (FCC 20-143) released on October 9, 2020.

(N)

(N)

Non-Inverting Digital Loopback (108 Type) Test Line

Denotes a termination in a digital Company switch location to conduct digital testing of digital services (i.e., 56 kbps, 64 kbps and 64 kbps clear channel).

Nonrecurring Charge

Denotes those charges which are one time charges to the customer, i.e., not monthly charges.

Nonsynchronous Test Line

Denotes an arrangement in step-by-step end offices which provides operational tests which are not as complete as those provided by the synchronous test lines, but can be made more rapidly.

North American Numbering Plan (NANP)

Denotes a numbering scheme which includes a three-digit (Numbering Plan Area) code and a seven-digit telephone number which consists of a three-digit CO code plus a four-digit station number.

2. GENERAL REGULATIONS

2.6 DEFINITIONS (Cont'd)

Off-Hook

Denotes the active condition of Switched Access or a telephone exchange service line.

Office Replacement

Denotes a situation where the hardware and software in a Company switching office is replaced with different hardware and software for the establishment and maintenance of a given switching office.

Ohm

Denotes a unit of electric resistance.

On-Hook

Denotes the idle condition of Switched Access or a telephone exchange service line.

Open Circuit Test Line

Denotes an arrangement in an end office which provides an ac open circuit termination of a trunk or line by means of an inductor of several Henries.

Originating Direction

Denotes the use of Access Service for the origination of calls from an end user's premises to a customer's premises.

Pay Telephone

Denotes an instrument provided by a Payphone Service Provider that is available to the general public for public convenience and necessity. Pay telephones utilize Basic and Smart Public Access Line Service provided under the Exchange and Network Services Catalog.

Qwest Corporation d/b/a CenturyLink QC
Access Service
Catalog No. 1

SECTION 2
Page 71
Release 2
Effective: 7-2-13

NORTHERN IDAHO
Issued: 5-31-13

2. GENERAL REGULATIONS

2.6 DEFINITIONS (Cont'd)

Payphone Service Provider (PSP)

Denotes an entity that controls and incurs the costs of placement and maintenance of pay telephones.

Phase Jitter

Denotes the unwanted phase variations of a signal.

Point of Termination (POT)

Denotes the point of interconnection between Company communications facilities and terminal equipment, protective apparatus or wiring at or near a customer's premises. The POT shall be located on the customer's side of the Company's protector, or the equivalent thereof in cases where a protector is not employed, as provided under the local Company's reasonable and nondiscriminatory standard operating practices. Previously known as "Network Interface" and "Demarcation Point".

Premises

Denotes a building, a portion of a building in a multitenant building, or buildings on continuous property (except railroad rights-of-way, etc.) not separated by a public highway. It may also denote a customer-owned enclosure or utility vault located above ground or underground on private property or on customer acquired right-of-way. Except for an end user that offers telecommunications services exclusively as a reseller, this term is not limited to one building, but applies as well to a complex, or campus-type configuration of buildings.

Public Access Line (PAL) Service

Denotes Basic and Smart Public Access Line Service available under the Exchange and Network Services Catalog of the Company for use with pay telephones.

Query

Denotes the inquiry to a Company data base to obtain information, processing instructions or service data.

2. GENERAL REGULATIONS

2.6 DEFINITIONS (Cont'd)

Registered Equipment

Denotes the customer's premises equipment which complies with and has been approved within the Registration Provisions of Part 68 of the F.C.C.'s Rules and Regulations.

Release Message

Denotes a SS7 message sent in either direction to indicate the release of a specific circuit.

Remote Switching Modules and/or Remote Switching Systems (RSM/RSS)

Denotes small, remotely controlled electronic end office switches which obtain their call processing capability from an ESS-type Host Office. The RSM/RSS cannot accommodate direct trunks to a customer.

Responsible Organization (RESP ORG)

Denotes the entity that is responsible for the management and administration of 800 Data Base Access Service records in the Service Management System according to Guidelines for 800 Data Base.

Return Loss

Denotes a measure of the similarity between the two impedances at the junction of two transmission paths. The higher the return loss, the higher the similarity.

Qwest Corporation d/b/a CenturyLink QC
Access Service
Catalog No. 1

NORTHERN IDAHO
Issued: 5-31-13

SECTION 2
Page 73
Release 2
Effective: 7-2-13

Idaho Public Utilities Commission
Office of the Secretary
ACCEPTED FOR FILING (C)
July 2, 2013
Boise, Idaho

2. GENERAL REGULATIONS

2.6 DEFINITIONS (Cont'd)

Service Control Point (SCP)

Denotes the node in the network where several independent data base applications receive and respond to SS7 queries.

Service Management System/800 (SMS/800)

Denotes the main operations support system of 800 Data Base Access Service. It is used to create and update subscriber 8XX records that are then downloaded to SCPs for handling subscribers' 8XX calls (see Service Control Points). The system is also used by 8XX responsible organizations to reserve and assign 8XX numbers.

Service Switching Point (SSP)

Denotes a signal point equipped with the ability to halt call process, formulate and send a SS7 query to a remote location and route the call based on information contained in the response.

Serving Wire Center (SWC)

Denotes the local Company office from which dial tone for local exchange service would normally be provided to the customer's premises.

Seven Digit Manual Test Line

Denotes an arrangement which allows the customer to select balance, milliwatt and synchronous test lines by manually dialing a seven digit number over the associated access connection.

2. GENERAL REGULATIONS

2.6 DEFINITIONS (Cont'd)

Short Circuit Test Line

Denotes an arrangement in an end office which provides for an ac short circuit termination of a trunk or line by means of a capacitor of at least four microfarads.

Signal Point (SP)

Denotes an end node in a CCSN. Signal Points can be switches (i.e., end offices and access tandems), data bases or operator service systems that are equipped with CCS.

Signal-to-C-Notched Noise Ratio

Denotes the ratio expressed in dB of a test signal to the corresponding C-Notched Noise.

Signal Transfer Point (STP)

Denotes a switch which provides CCSN access and performs CCSN message routing and screening.

Signal Transfer Point Port (STP PORT)

Denotes the POT on the STP which provides CCSN access.

Signaling

Denotes the process of passing information, identifying the called subscriber or addressee and for supervising and controlling the connection once it has been established.

Signaling System 7 (SS7)

Denotes the signaling protocol in the CCSN.

Singing Return Loss (SRL)

Denotes the frequency weighted measure of return loss at the edges of the voiceband (200 to 500 Hz and 2500 to 3200 Hz), where singing (instability) problems are most likely to occur.

Qwest Corporation d/b/a CenturyLink QC
Access Service
Catalog No. 1

SECTION 2
Page 75
Release 2
Effective: 7-2-13

NORTHERN IDAHO
Issued: 5-31-13

2. GENERAL REGULATIONS

2.6 DEFINITIONS (Cont'd)

Subtending End Office of a Customer-provided Tandem

Denotes a Company equal access end office that has final trunk group routing through that customer-provided tandem.

Subtending End Office of an Access Tandem

Denotes an end office that has final trunk group routing through that tandem.

Switching System

Denotes the hardware and/or software utilized by the Company for the establishment and maintenance of a given central office.

Synchronous Test Line

Denotes an arrangement in an end office which performs marginal operational tests of supervisory and ring-tripping functions.

Tandem Routed Access

Denotes Switched Access traffic routed to an access tandem trunkside Switched Access trunk.

Tandem Service Provider (TSP)

Denotes any interested third party including competitive access providers, interexchange carriers and end users, requesting Tandem Signaling Information for the purpose of providing tandem switching to carry FGD Service traffic from a Company end office to their own tandem, switch traffic at that point, and deliver the traffic to the appropriate interexchange carrier.

Tandem-Switched Transport (TST)

Denotes the transport between the SWC of the customer's premises and end offices that subtend the access tandem or between an access tandem and end offices that subtend the access tandem that utilizes tandem switching functions. Tandem-Switched Transport consists of circuits dedicated to the use of a single customer from the SWC to the tandem and circuits used in common by multiple customers from the tandem to an end office.

2. GENERAL REGULATIONS

2.6 DEFINITIONS (Cont'd)

Terminating Direction

Denotes the use of Access Service for the completion of calls from a customer's premises to an end user's premises.

Termination Liability

Denotes a specified financial obligation assumed by the customer, to protect the Company's nonrecoverable investment over a specified period of time. The maximum amount of liability is reduced each month during the life of the agreement, and is billed to the customer only if the agreement is terminated or modified.

Toll VoIP-PSTN Traffic

The term Toll VoIP-PSTN Traffic denotes a customer's interexchange voice traffic exchanged with the Telephone Company in Time Division Multiplexing format over PSTN facilities, which originates and/or terminates in Internet Protocol (IP) format. Toll VoIP-PSTN Traffic originates and /or terminates in IP format when it originates from and/or terminates to an end user customer of a service that requires IP-compatible customer premises equipment.

Traffic Type

Denotes one of four Switched Access capacity types, i.e., Originating, Terminating, CCC Originating and CCC Terminating. See 6.1.1, following, for application.

Transaction Capabilities Application Part (TCAP)

Denotes the design of non-circuit related messages. TCAP protocol provides a means for reliable transfer of information from one application at a switch location to another application within another network entity.

Transmission Measuring (105 Type) Test Line/Responder

Denotes an arrangement in an end office which provides far-end access to a responder and permits two-way loss and noise measurements to be made on trunks from a near end office.

2. GENERAL REGULATIONS

2.6 DEFINITIONS (Cont'd)

Transmission Path

Denotes an electrical path capable of transmitting signals within the range of the service offering; e.g., a Voiceband transmission path is capable of transmitting voice frequencies within the approximate range of 300 to 3000 Hz. A transmission path comprises physical or derived channels consisting of any form or configuration of facilities typically used in the telecommunications industry.

Transport Facilities

Denotes that portion of a Private Line Access Service which connects two wire centers.

Trunk

Denotes a communications path common to numerous users.

Trunk Group

Denotes a set of trunks which function as a unit for the establishment of connections between switching systems in which all of the communications paths are identical.

Trunkside Connection

Denotes the connection of a transmission path to the non-dial tone side of a local exchange switching system.

Trunk-Type Connection

Denotes a connection between a customer-provided switching system and a CO. These are connected on the dial tone side of the CO.

Two-Wire to Four-Wire Conversion

Denotes an arrangement which converts a four-wire transmission path to a two-wire transmission path or a two-wire transmission path to a four-wire transmission path.

Qwest Corporation d/b/a CenturyLink QC
Access Service
Catalog No. 1

SECTION 2
Page 78
Release 4
Effective: 1-1-17

NORTHERN IDAHO
Issued: 12-15-16

2. GENERAL REGULATIONS

2.6 DEFINITIONS (Cont'd)

Underground Utility Vault

Denotes an underground enclosure where conduits are terminated and which provides ready access to conduit systems.

(D)

(D)

V and H Coordinates Method

Denotes a method of computing airline miles between two points by utilizing an established formula which is based on the vertical (V) and horizontal (H) coordinates of the two points.

WATS Serving Office (WSO)

Denotes a Company designated end office switch which is capable of performing routing, screening and recording functions in connection with the closed-end of an 800/800-type call, Outward WATS and similar services. Designation of an end office switch as a WSO is based upon the capability and capacity of the end office switch to provide WATS Access Service Arrangements. WATS Access Service Arrangements and WATS Access Service Options may not all be available at all WATS Serving Offices. WATS Serving Offices are identified in National Exchange Carrier Association, Inc. Tariff F.C.C. No. 4.

Wire Center

Denotes a building in which one or more central offices, used for the provision of telephone exchange services, are located.

2. GENERAL REGULATIONS

2.7 SHARED USE REGULATIONS

Shared Use occurs when Private Line Transport Service (PLTS) and/or Switched Access Service (including CCSAC Service) are provided over the same Wideband Analog, DS1 or DS3 facility through a common interface. Shared Use may also occur when Switched Access Service, as set forth in Section 6, following, and CCSAC Service, as set forth in Section 15, following, are provided over the same Switched Access DS3 facility.

When PLTS (including a facility to a Hub) is to be shared between PLTS and/or Switched Access Service (including CCSAC), the service is ordered, provided and rated as PLTS until the customer chooses to place an order for Switched Access Service. When a Switched Access DS3 facility (including a facility to a Hub) is to be shared with CCSAC, the DS3 facility is ordered, provided and rated as set forth in Section 6, following, until the customer chooses to place an order for CCSAC Service.

Specific Shared Use regulations and/or exceptions are described as set forth following:

- PLTS and Switched Access Service, (described in 2.7.1, following)
- Expanded Interconnection Channel Termination (described in 2.7.2, following)
- Switched DS3 Facility and CCSAC Service (described in 2.7.3, following)
- PLTS and Switched Access Service provisioned with an optical interface (described in 2.7.4, following).

Qwest Corporation d/b/a CenturyLink QC
Access Service
Catalog No. 1

SECTION 2
Page 80
Release 2
Effective: 7-2-13

NORTHERN IDAHO
Issued: 5-31-13

2. GENERAL REGULATIONS

2.7 SHARED USE REGULATIONS (Cont'd)

2.7.1 PLTS AND SWITCHED ACCESS SERVICE

When the customer chooses to use a portion of the available capacity on PLTS for providing Switched Access Service (including CCSAC), the customer shall place an order for each individual Switched Access Service from Section 6, and/or Section 15, following, and specify the channel assignment for the Shared Use facility.

Nonrecurring installation charges are assessed on a per-line, per-trunk or per-link basis for Switched Access Service. All appropriate Switched Access Service rates (e.g., Local Switching, Carrier Common Line) apply.

All applicable rate elements for the Shared Use facility are apportioned based on the following guidelines.

When the customer chooses to utilize a portion of the capacity of PLTS for Switched Access Service, the Switched Access Service monthly rate elements (e.g., Entrance Facility, Direct-Trunked Transport Facility and/or Direct Link Transport and associated multiplexing charge), as set forth in Section 6 and/or Section 15, following, and the appropriate PLTS rate elements are apportioned based on the total number of channels being utilized for each service. When CCSAC Service is ordered, the customer must dedicate, at a minimum, one DS1 facility for that service. The monthly rate elements associated with multiplexing equipment are apportioned based on the number of channels being utilized for each service when both Switched and PLTS multiplexing rate elements are chargeable.

When the customer chooses to utilize PLTS to a Hub in association with Switched Access Service ordered with Tandem-Switched Transport, all usage rated elements apply for the Switched Access Service, as set forth in Section 6, following, for Tandem-Switched Transport (e.g., Tandem Transmission and Tandem Switching) on a minute of use basis. The appropriate PLTS rate elements shall be apportioned based on the number of channels being utilized on the Shared Use facility. The Entrance Facility and Channel Termination rate elements are apportioned when Tandem-Switched Transport is provisioned.

Qwest Corporation d/b/a CenturyLink QC
Access Service
Catalog No. 1

NORTHERN IDAHO
Issued: 5-31-13

SECTION 2
Page 81
Release 2
Effective: 7-2-13

Idaho Public Utilities Commission
Office of the Secretary
ACCEPTED FOR FILING (C)
July 2, 2013
Boise, Idaho

2. GENERAL REGULATIONS

2.7 SHARED USE REGULATIONS

2.7.1 PLTS AND SWITCHED ACCESS SERVICE (Cont'd)

Example of Shared Use

- Customer has DS3 PLTS comprised of a DS3 Channel Termination and a DS3/DS1 Multiplexer in the SWC of the customer's premises.
- Customer orders 24 Feature Group D trunks to ride a DS1 DTT facility to an end office (Section 6) and specifies that the DS1 DTT facility be assigned to the DS3 PLTS facility for the associated Switched Access Entrance Facility.

- Switched Access Service Rates and Charges

24/672 of the Switched DS3 Entrance Facility rate
100% Switched DS1 DTT facility rate
24/672 of the Switched DS3/DS1 Multiplexer rate

- PLTS Rates and Charges

648/672 of the PLTS DS3 Channel Termination
648/672 of the PLTS DS3/DS1 Multiplexer

In the above example, if the PLTS DS3 Service has Transport Channel mileage in addition to the Channel Termination, the Switched DS1 DTT facility rate and the PLTS Transport Channel rate are also apportioned.

Qwest Corporation d/b/a CenturyLink QC
Access Service
Catalog No. 1

SECTION 2
Page 82
Release 2
Effective: 7-2-13

NORTHERN IDAHO
Issued: 5-31-13

2. GENERAL REGULATIONS

2.7 SHARED USE REGULATIONS (Cont'd)

2.7.2 EXPANDED INTERCONNECTION CHANNEL TERMINATION

When a customer with a Private Line Expanded Interconnection Channel Termination (EICT) provides Shared Use, the apportioned factor (between Switched Access Service and PLTS) applied to the EICT rate element will be the same apportioned factor as determined for the PLTS facility as described in 2.7.1, preceding.

2.7.3 SWITCHED DS3 FACILITY AND CCSAC SERVICE

Shared Use may occur when Switched Access Service, as set forth in Section 6, following, and CCSAC Service, as set forth in Section 15, following, are provided over the same DS3 facility. The DS3 facility must be ordered, provided and rated from Section 6, following, until the customer chooses to use a portion of the facility for CCSAC Service.

When the customer chooses to use a portion of the available capacity (i.e., DS1) of a DS3 facility for providing CCSAC, the customer shall place an order for each individual CCSAC Service from Section 15, following, and specify the channel assignment for the Shared Use facility. The customer must dedicate, at a minimum, one DS1 facility for the CCS Links. Since a minimum of one DS1 is utilized for CCS Links, the number of channels apportioned for CCSAC will be in multiples of 24 channels. All rates and charges will be apportioned as set forth in 2.7.1, preceding.

Where PLTS or Switched Access Service (Section 6) is provided and a portion of the facility is utilized for Shared Use to a Hub, rates and charges are apportioned for the facility to the Hub as set forth in 2.7.1, preceding, and individual service rates and charges for CCSAC apply from the Hub to the Company STP as set forth in Section 15, following.

Qwest Corporation d/b/a CenturyLink QC
Access Service
Catalog No. 1

NORTHERN IDAHO
Issued: 5-31-13

SECTION 2
Page 83
Release 2
Effective: 7-2-13

Idaho Public Utilities Commission
Office of the Secretary
ACCEPTED FOR FILING (C)
July 2, 2013
Boise, Idaho

2. GENERAL REGULATIONS

2.7 SHARED USE REGULATIONS (Cont'd)

2.7.4 PLTS AND SWITCHED ACCESS SERVICE PROVISIONED WITH AN OPTICAL INTERFACE

When a customer chooses to use a portion of the available capacity of a PLTS provisioned with an optical interface, all rates and charges are apportioned as set forth in 2.7.2, preceding. The optical interface is ordered and provided from Section 7, of the Interstate Access Service Tariff, F.C.C. No. 11. The rate for the optical interface as set forth in 6.8, following, is for the billing of Shared Use only.

(T)

Qwest Corporation d/b/a CenturyLink QC
Access Service
Catalog No. 1

SECTION 3
Index Page 1
Release 3

NORTHERN IDAHO
Issued: 4-20-21

Effective: 5-1-21

Idaho Public Utilities Commission
Office of the Secretary
ACCEPTED FOR FILING
May 1, 2021
Boise, Idaho

3. CARRIER COMMON LINE ACCESS SERVICE

SUBJECT	PAGE
Access Groups	1
Billing of Rates	10
Common Channel Signaling Access Capability Exemption	4
Customer Obligations Concerning The Resale Of MTS and/or MTS-Type Services.....	5
Determination of Jurisdiction	3
Determination of Rates	11
Determination of Usage Subject to Carrier Common Line Access Rates ..	3
Exclusions.....	1
General Description	1
Interstate and Intrastate Use.....	2
Limitations	1
Local Exchange Access and Enhanced Service Exemption	3
Obligations of the Customer	2
Percent Interstate Use (PIU)	11
Provision of Service.....	2
Rate Regulations	10
Rates.....	12
Resale Documentation Provided by the Customer	5
Resold Services.....	4
Scope	4
Supervision	2
Switched Access Service Provided in Conjunction With a Commercial Mobile Radio Service Provider	4
Switched Access Service Requirement.....	2
Undertaking of the Company.....	2
Unmeasured Feature Group A Usage	10
WATS Access Lines (Grandfathered).....	1

(C)

3. CARRIER COMMON LINE ACCESS SERVICE

3.1 GENERAL DESCRIPTION

Carrier Common Line Access Service provides for the use of Company common lines by customers for access to end users to furnish intrastate telecommunications service.

The Company will provide Carrier Common Line Access Service (Carrier Common Line Access) to customers in conjunction with Switched Access Service provided in Section 6, following.

3.2 LIMITATIONS

3.2.1 EXCLUSIONS

Neither a telephone number nor detail billing are provided with Carrier Common Line Access. Additionally, directory listings and intercept arrangements are not included in the rates for Carrier Common Line Access.

3.2.2 ACCESS GROUPS

All line side connections provided in the same access group will be limited to the same features and operating characteristics.

All trunk side connections provided in the same access group will be limited to the same features and operating characteristics.

3.2.3 WATS ACCESS LINES

(C)

Where Switched Access Services are connected with WATS Access Lines at Company Designated WATS Serving Offices for the provision of WATS and/or WATS-type Services, Switched Access Service minutes which are carried on that end of the service (i.e., originating minutes for outward WATS and/or WATS-type services and terminating minutes for inward WATS and/or WATS-type services) shall not be assessed Carrier Common Line Access per minute rates.

[1] **Effective May 1, 2021, WATS Access Lines are grandfathered. Availability to current customers is limited to circuits in service at existing locations.**

(N)
(N)

Qwest Corporation d/b/a CenturyLink QC
Access Service
Catalog No. 1

SECTION 3
Page 2
Release 2
Effective: 7-2-13

Idaho Public Utilities Commission
Office of the Secretary
ACCEPTED FOR FILING (C)
July 2, 2013
Boise, Idaho

NORTHERN IDAHO
Issued: 5-31-13

3. CARRIER COMMON LINE ACCESS SERVICE

3.3 UNDERTAKING OF THE COMPANY

3.3.1 PROVISION OF SERVICE

Where the customer is provided Switched Access Service under other sections of this document, the Company will provide the use of Company common lines by a customer for access to end users at rates as set forth in 3.9, following.

3.3.2 INTERSTATE AND INTRASTATE USE

The Switched Access Service provided by the Company includes the Switched Access Service provided for both interstate and intrastate communications. The Carrier Common Line Access rates as set forth in 3.9, following, apply to intrastate Switched Access Service access minutes in accordance with the rate regulations as set forth in 3.8.4, following, (Percent Interstate Use - PIU).

3.4 OBLIGATIONS OF THE CUSTOMER

3.4.1 SWITCHED ACCESS SERVICE REQUIREMENT

The Switched Access Service associated with Carrier Common Line Access shall be ordered by the customer under other sections of this document.

3.4.2 SUPERVISION

The customer facilities at the premises of the ordering customer shall provide the necessary on-hook and off-hook supervision.

Qwest Corporation d/b/a CenturyLink QC
Access Service
Catalog No. 1

NORTHERN IDAHO
Issued: 5-31-13

SECTION 3
Page 3
Release 2
Effective: 7-2-13

Idaho Public Utilities Commission
Office of the Secretary
ACCEPTED FOR FILING (C)
July 2, 2013
Boise, Idaho

3. CARRIER COMMON LINE ACCESS SERVICE

3.5 DETERMINATION OF USAGE SUBJECT TO CARRIER COMMON LINE ACCESS RATES

Except as set forth herein, all Switched Access Service provided to the customer will be subject to Carrier Common Line Access rates.

3.5.1 DETERMINATION OF JURISDICTION

When the customer reports interstate and intrastate use of Switched Access Service, the associated Carrier Common Line Access used by the customer for intrastate will be determined as set forth in 3.8.4, following, (Percent Interstate Use-PIU).

3.5.3 LOCAL EXCHANGE ACCESS AND ENHANCED SERVICE EXEMPTION

When access to the local exchange is required to provide a customer service (e.g., MTS-type, WATS-type, telex, Data, etc.) that uses a resold private line service, Switched Access Service regulations, rates and charges as set forth in Section 6, following, apply, except when such access to the local exchange is required for the provision of an enhanced service. Carrier Common Line Access rates as set forth in 3.9, following, apply in accordance with the rate regulations as set forth in 3.8, following.

Qwest Corporation d/b/a CenturyLink QC
Access Service
Catalog No. 1

SECTION 3
Page 4
Release 2
Effective: 7-2-13

NORTHERN IDAHO
Issued: 5-31-13

3. CARRIER COMMON LINE ACCESS SERVICE

3.5 DETERMINATION OF USAGE SUBJECT TO CARRIER COMMON LINE ACCESS RATES (Cont'd)

3.5.4 SWITCHED ACCESS SERVICE PROVIDED IN CONJUNCTION WITH A COMMERCIAL MOBILE RADIO SERVICE PROVIDER

For Switched Access Service provided in conjunction with a CMRS provider, Carrier Common Line Access rates do not apply.

3.5.5 COMMON CHANNEL SIGNALING ACCESS CAPABILITY EXEMPTION

Common Channel Signaling Access Service as set forth in Section 15, following, is not subject to a Carrier Common Line rate.

3.6 RESOLD SERVICES

3.6.1 SCOPE

Where the customer is reselling MTS and/or MTS-type service(s) on which the Carrier Common Line and Switched Access rates have been assessed, the customer may, at the option of the customer, obtain Feature Group A, Feature Group B or Feature Group D Switched Access Service under this document as set forth in Section 6, following, for originating and/or terminating access in the local exchange. Such access group arrangements whether single lines or trunks or multiline hunt groups or trunk groups will have Carrier Common Line Access rates applied as set forth in 3.8.5, following, in accordance with the resale rate regulations set forth in 3.6.4, following. For purposes of administering this provision:

- Resold intrastate terminating MTS and/or MTS-type service(s) shall include collect calls, third number calls and credit card calls where the reseller pays the underlying carrier's service charges; and shall not include interstate minutes of use.
- Resold intrastate originating MTS and/or MTS-type service(s) shall not include collect, third number, credit card or interstate minutes of use.

3. CARRIER COMMON LINE ACCESS SERVICE

3.6 RESOLD SERVICES (Cont'd)

3.6.2 CUSTOMER OBLIGATIONS CONCERNING THE REALE OF MTS AND/OR MTS-TYPE SERVICES

When the customer is reselling MTS and/or MTS-type service as set forth in 3.6.1, preceding, the customer will be charged Carrier Common Line Access rates in accordance with the resale rate regulations as set forth in 3.6.4, following, if the customer or the provider of the MTS service furnishes documentation of the MTS usage and/or the customer furnishes documentation of the MTS-type usage. Such documentation supplied by the customer shall be supplied each month and shall identify the involved resold MTS and/or MTS-type services.

The monthly period used to determine the minutes of use for resold MTS and/or MTS-type service(s) shall be the most recent monthly period for which the customer has received a bill for such resold service(s). This information shall be delivered to the Company, at a location specified by the Company, no later than 15 days after the bill date shown on the resold MTS and/or MTS-type service bill. If the required information is not received by the Company, the previously reported information, as described preceding, will be used for the next two months. For any subsequent month, no allocation or credit will be made until the required documentation is delivered to the Company by the customer.

3.6.3 REALE DOCUMENTATION PROVIDED BY THE CUSTOMER

When the customer utilizes Switched Access Service as set forth in 3.6.2, preceding, the Company may request a certified copy of the customer's resold MTS and/or MTS-type usage billing from either the customer or the provider of the MTS and/or MTS-type service. Requests for billing will relate back no more than 12 months prior to the current billing period.

3. CARRIER COMMON LINE ACCESS SERVICE

3.6 RESOLD SERVICES (Cont'd)

3.6.4 RATE REGULATIONS CONCERNING THE RESALE OF MTS AND/OR MTS-TYPE SERVICES

When the customer is provided an access group to be used in conjunction with the resale of MTS and/or MTS-type services as set forth in 3.6.1 preceding, subject to the limitations as set forth in 3.2, preceding, and the Company receives the usage information required as set forth in 3.6.2, preceding, to calculate the adjustment of Carrier Common Line Access rates, the customer will be billed as set forth in D., following.

A. Apportionment and Adjustment of Resold Minutes of Use

When the customer is provided with more than one access group in a State in association with the resale of MTS and/or MTS-type services, the resold minutes of use will be apportioned as follows: (C)

1. Originating Services

The Company will apportion the resold originating MTS and/or MTS-type services and originating minutes of use for which the resale credit adjustment applies among the access groups. Such apportionment will be based on the relationship of the originating usage for each access group to the total originating usage for all access groups in the State. For purposes of administering this provision: (C)

- Resold originating MTS and/or MTS-type services minutes shall be only those attributable to intrastate originating MTS and/or MTS-type minutes and shall not include collect, third number, credit card or interstate minutes of use.

The resale credit adjustment shall apply for resold originating MTS and/or MTS-type services and minutes of use provided Carrier Common Line and Switched Access rates and charges have been assessed on such services.

3. CARRIER COMMON LINE ACCESS SERVICE

3.6 RESOLD SERVICES

3.6.4 RATE REGULATIONS CONCERNING THE RESALE OF MTS AND/OR MTS-TYPE SERVICES

A. Apportionment and Adjustment of Resold Minutes of Use (Cont'd)

2. Terminating Services

The Company will apportion the resold terminating MTS and/or MTS-type services and terminating minutes of use for which the resale credit adjustment applies among the access groups. Such apportionment will be based on the relationship of the terminating usage for each access group to the total terminating usage for all access groups in the State. For purposes of administering this provision:

(C)

- Resold terminating MTS and/or MTS-type services minutes shall be only those attributable to intrastate terminating MTS and/or MTS-type (i.e., collect calls, third number calls, and credit card calls) and shall not include interstate minutes of use or MTS and/or MTS-type minutes of use paid for by another party.

The resale credit adjustment shall apply for resold terminating MTS and/or MTS-type services and minutes of use provided Carrier Common Line and Switched Access rates and charges have been assessed on such services.

B. Same State/Company/Exchange Limitation

In order for the rate regulations to apply as set forth in D., following, the access groups and the resold MTS and/or MTS-type services must be provided in the same state, in the same exchange, provided by the same Company and connected directly or indirectly. For those exchanges that encompass more than one state, the customer shall report the information by state within the exchange.

Qwest Corporation d/b/a CenturyLink QC
Access Service
Catalog No. 1

SECTION 3
Page 8
Release 2
Effective: 7-2-13

Idaho Public Utilities Commission
Office of the Secretary
ACCEPTED FOR FILING (C)
July 2, 2013
Boise, Idaho

NORTHERN IDAHO
Issued: 5-31-13

3. CARRIER COMMON LINE ACCESS SERVICE

3.6 RESOLD SERVICES

3.6.4 RATE REGULATIONS CONCERNING THE RESALE OF MTS AND/OR MTS-TYPE SERVICES (Cont'd)

C. Direct and Indirect Connections

Each of the access group arrangements used by the customer in association with the resold MTS and/or MTS-type services must be connected either directly or indirectly to the customer designated premises at which the resold MTS and/or MTS-type services are terminated. Direct connections are those arrangements where the access groups and resold MTS and/or MTS-type services are terminated at the same customer designated premises.

Indirect originating connections are those arrangements where the access groups and the resold originating MTS and/or MTS-type services are physically located at different customer designated premises in the same exchange. Such different customer designated premises are connected by facilities that permit a call to flow from access groups to resold MTS and/or MTS-type services.

Indirect terminating connections are those arrangements where the access groups and resold terminating MTS and/or MTS-type services are physically located at different customer designated premises in the same exchange. Such different customer designated premises are connected by facilities that permit a call to flow from resold terminating MTS and/or MTS-type services to access groups.

3. CARRIER COMMON LINE ACCESS SERVICE

3.6 RESOLD SERVICES

3.6.4 RATE REGULATIONS CONCERNING THE RESALE OF MTS AND/OR MTS-TYPE SERVICES (Cont'd)

D. Access Groups

The adjustments as set forth here will be computed separately for each access group.

The access minutes which will be subject to Carrier Common Line Access rates will be the adjusted originating intrastate access minutes plus the adjusted terminating intrastate access minutes for such access groups.

The adjusted originating access minutes will be the originating intrastate access minutes less the reported resold originating MTS and/or MTS-type service minutes of use as set forth in A.1., preceding, but not less than zero. The adjusted terminating access minutes will be the terminating intrastate access minutes less the reported resold terminating MTS and/or MTS-type service minutes of use as set forth in A.2., preceding, but not less than zero.

E. When the Adjustment Will Be Applied to Customer Bills

The adjustment as set forth in D., preceding, will be made to the involved customer account no later than either the next bill date, or the one subsequent to that, depending on when the usage report is obtained.

F. Conversion of Billed Usage to Minutes

When the MTS and/or MTS-type usage is shown in hours, the number of hours shall be multiplied by 60 to develop the associated MTS and/or MTS-type minutes of use. If the MTS and/or MTS-type usage is shown in a unit that does not show hours or minutes, the customer shall provide a factor to convert the shown units to minutes.

G. Percent Interstate Use (PIU)

The adjustment as set forth in D., preceding, will be made to the involved customer account after making the adjustments to the customer account as set forth in 3.8.4, following (PIU).

Qwest Corporation d/b/a CenturyLink QC
Access Service
Catalog No. 1

SECTION 3
Page 10
Release 2
Effective: 7-2-13

NORTHERN IDAHO
Issued: 5-31-13

3. CARRIER COMMON LINE ACCESS SERVICE

3.8 RATE REGULATIONS

3.8.1 BILLING OF RATES

Carrier Common Line Access rates will be billed to each Switched Access Service provided under this document in accordance with the regulations as set forth in 3.8.5, following, (Determination of Rates) except as set forth in 3.2.3, preceding, (WATS Access Lines), 3.6.4, preceding, (Resale) and 3.8.4, following, (PIU).

3.8.3 UNMEASURED FEATURE GROUP A USAGE

When Carrier Common Line Access is provided in association with Feature Group A Switched Access Service in Company offices that are not equipped for measurement capabilities, an assumed average intrastate access minutes will be used to determine Carrier Common Line Access rates. These assumed access minutes are as set forth in 6.7.6, following.

3. CARRIER COMMON LINE ACCESS SERVICE

3.8 RATE REGULATIONS (Cont'd)

3.8.4 PERCENT INTERSTATE USE (PIU)

When the customer reports interstate and intrastate use of in-service Switched Access Service, Carrier Common Line Access rates will be billed only to intrastate Switched Access Service access minutes based on the data reported by the customer as set forth in 2.3.10, preceding, (Jurisdictional Reports), except where the Company is billing according to actuals by jurisdiction. Intrastate Switched Access Service access minutes will, after adjustment as set forth in 3.6.4, preceding, (Resale), when necessary, be used to determine Carrier Common Line Access rates as set forth in 3.8.5, following.

3.8.5 DETERMINATION OF RATES

After the adjustments as set forth in 3.6.4 and 3.8.4, preceding, have been applied, when necessary, to Switched Access Service access minutes, rates for the involved customer account will be determined as follows:

- A. Carrier Common Line Access rates shall not be reduced as set forth in 3.6.1, preceding, unless Switched Access rates, as set forth in 6.8, following, are applied to the customer's Switched Access Services.
- B. The terminating access per minute rate(s) apply to all terminating minutes of use.
- C. The originating access per minute rate(s) apply to all originating minutes of use.

Qwest Corporation d/b/a CenturyLink QC

Access Service
Catalog No. 1

SECTION 3

Page 12

Release 4

Effective: 7-01-2021

NORTHERN IDAHO
Issued: 6-10-2021

3. CARRIER COMMON LINE ACCESS SERVICE

3.9 RATES

	RATE PER ACCESS MINUTE	
• Terminating	\$0.000000	(T)
• Originating – 8YY	0.000000 (R)	(C)
• Originating – Non-8YY	0.021533	(C)

Qwest Corporation d/b/a CenturyLink QC
Access Service
Catalog No. 1

SECTION 5
Index Page 1
Release 2

Effective: 7-2-13

NORTHERN IDAHO
Issued: 5-31-13

Idaho Public Utilities Commission
Office of the Secretary
ACCEPTED FOR FILING (C)
July 2, 2013
Boise, Idaho

5. ORDERING OPTIONS FOR ACCESS SERVICE

SUBJECT	PAGE
Access Order	5
Cancellation of	19
Modification to	14
Selection of Facilities For	22
Service Date Intervals	12
Cancellation of an Access Order	19
Critical Date Matrix	21
Design Change Charge	16
Design Layout Report	24
Discontinuance of Service	25
Expedited Order Charge	17
General	1
Minimum Period	22
Minimum Period Charges	24
Ordering Conditions	1
Partial Cancellation Charge	15
Provision of Other Services	2
Service Date Intervals	12
Negotiated Interval	13
Standard Interval	12
Service Date Change Charge	15
Service Interval Guide	12
Shared Use Facilities	24
Special Construction	3

Qwest Corporation d/b/a CenturyLink QC
Access Service
Catalog No. 1

SECTION 5
Page 1
Release 2
Effective: 7-2-13

NORTHERN IDAHO
Issued: 5-31-13

5. ORDERING OPTIONS FOR ACCESS SERVICE

5.1 GENERAL

- A. This section sets forth the regulations and order related charges for Switched Access Service and Expanded Interconnection (EI) Service. These charges are in addition to other applicable charges as set forth in other sections of this document.
- B. An Access Order is a request for, or change to, any service designated in this document.

5.1.1 ORDERING CONDITIONS

- A. The customer shall provide all information necessary for the Company to provide and bill for the requested service. In addition to the order information required in 5.2, following, the customer must also provide:
 - Customer name and premises address(es),
 - Billing name and address (when different from customer name and address),
 - Customer contact name(s) and telephone number(s) for the following provisioning activities: order negotiation, order confirmation, interactive design, installation and billing.
- B. The Company will establish a service date when the customer has placed an order for service with all the appropriate information to allow for the processing of the Access Order. The date on which the service date is established is considered to be the Application Date (Order Date). The Company will provide a firm order confirmation to the customer and will advise the customer of the Application Date and the associated critical dates.
- C. The time required to provision the service (i.e., the interval between the Application Date and the Service Date) is known as the service interval. Such intervals will be established in accordance with the service date interval guidelines as set forth in the Service Interval Guide mentioned in 5.2.1, following, and where possible, will reflect the customer's requested service date.

5. ORDERING OPTIONS FOR ACCESS SERVICE

5.1 GENERAL (Cont'd)

5.1.2 PROVISION OF OTHER SERVICES

- A. Other Services offered under the provisions of this Catalog shall be ordered with an Access Order or as set forth in B., following. The rates and charges for these services, as set forth in other sections of this document, will apply in addition to the ordering charges set forth in this section and the rates and charges for the Access Service with which they are associated.
- B. With the agreement of the Company, other Services mentioned in A., preceding, may subsequently be added to the order at any time, up to and including the service date for the Access Service. When added subsequently, charges for a design change as set forth in 5.2.2.C., following, will apply when an engineering review is required.
- C. Additional Engineering is not an ordering option, but will be applied to an Access Order when the Company determines that Additional Engineering is necessary to accommodate a customer request. Additional Engineering will only be required as set forth in 12.1, following. When Additional Engineering is required, the customer will be so notified and will be furnished with a written statement setting forth the justification for the Additional Engineering as well as an estimate of the charges. If the customer agrees to the Additional Engineering, a firm order will be established.
- D. If the customer does not want the service or facilities after being notified that Additional Engineering of Company facilities is required, the order will be withdrawn and no charges will apply. Once a firm order has been established, the total charge to the customer for the Additional Engineering may not exceed the estimated amount by more than 10%.
- E. The regulations, rates and charges for Additional Engineering are as set forth in 12.1, following, and are in addition to the regulations, rates and charges specified in this section.

5. ORDERING OPTIONS FOR ACCESS SERVICE

5.1 GENERAL (Cont'd)

5.1.3 SPECIAL CONSTRUCTION

- A. The regulations, rates and charges for special construction are determined in accordance with Qwest Corporation Practices.
1. All rates and charges quoted in other sections of this document provide for the furnishing of service when suitable facilities are available or where the construction of the necessary facilities does not involve unusual costs.
- B. Conditions For Special Construction
1. Special construction is required when a customer requests service and one or more of the following conditions exist:
 - a. The facilities to provide services are not available and at the request of the customer, the Company constructs facilities to provide the services for the customer and there is no other requirement for the facilities so constructed.
 - b. At the request of the customer, the Company constructs facilities of a type other than that which they would normally furnish in order to provide services for the customer.
 - c. In order to comply with requirements specified by the customer, construction by the Company involves a routing of facilities other than that which they would normally utilize to provide services for the customer.
 - d. At the request of the customer, the Company constructs a greater quantity of facilities than that which they would otherwise construct in order to fulfill the customer's initial requirements for service.
 - e. The facilities to provide services are not available and, at the request of the customer, the Company expedites construction of the facilities at greater expense than would otherwise be incurred.
 - f. The facilities to provide services are not available and, at the request of the customer, the Company constructs temporary facilities to provide services for the period during which the permanent facilities are under construction.

Qwest Corporation d/b/a CenturyLink QC
Access Service
Catalog No. 1

NORTHERN IDAHO
Issued: 5-31-13

SECTION 5
Page 4
Release 2
Effective: 7-2-13

Idaho Public Utilities Commission
Office of the Secretary
ACCEPTED FOR FILING (C)
July 2, 2013
Boise, Idaho

5. ORDERING OPTIONS FOR ACCESS SERVICE

5.1 GENERAL

5.1.3 SPECIAL CONSTRUCTION (Cont'd)

C. Special Construction Agreements

1. Customers requiring special construction enter into special construction agreements with the Company. In doing so, the customer may incur any one or all of the following liabilities depending on the circumstances surrounding the special construction.
 - Maximum Termination Liability (MTL)
 - Nonrecurring Charge (NRC)
 - Excess Recurring Monthly Charge (RNC)
 - Annual Underutilization Liability (AUL)

5. ORDERING OPTIONS FOR ACCESS SERVICE

5.2 ACCESS ORDER

When a customer requests new or additional Switched Access Services, one or more access orders may be required. The number of orders required is dependent on the type of services and/or facilities being requested.

When placing an order for service, the customer shall specify, at a minimum: information for the Entrance Facility (EF), as described in A., following; Direct-Trunked Transport (DTT) facility, as described in B., following; and/or Tandem-Switched Transport (TST), as described in C., following. This information is in addition to the basic Lineside or Trunkside Switched Access Service arrangement information as described in D. and E., following, respectively.

- A. When the customer orders an EF for Switched Access Service (as described in 6.1.2, following), the customer must specify the customer-designated premises and the type of facility, DS3, DS1 or Voice Grade, being requested between the customer's premises and the serving wire center (SWC) of that premises. The customer shall specify their facility terminating interface and the appropriate multiplexing options, if desired, at the SWC.

When a Voice Grade EF is ordered, the customer shall order the associated Lineside or Trunkside Service (as set forth in C. and D., following) and the DTT facility (as set forth in B., following) at the same time. When a DS1 and DS3 EF and/or DTT is being requested, the customer has the option of ordering the Lineside or Trunkside Service at the same time or the customer may order the Lineside or Trunkside Service subsequent to ordering the EF or DTT facility when one of the following conditions exist:

- a DS3 EF is ordered with a DS3 to DS1 Multiplexer at the SWC, or
- a DS3 EF is ordered with a DS3 to DS1 Multiplexer at the SWC and DS1 DTT is ordered to a specific end office, Company Hub or access tandem, or
- a DS3 EF is order to the SWC and a DS3 DTT facility, with a DS3 to DS1 Multiplexer, is ordered to a specific end office, Company Hub or access tandem, or
- a DS1 EF is ordered with a DS1 to Voice Grade Multiplexer at the SWC, or
- a DS1 EF and a DS1 DTT are ordered to a specific end office, Company Hub or access tandem.

Qwest Corporation d/b/a CenturyLink QC
Access Service
Catalog No. 1

SECTION 5
Page 6
Release 2
Effective: 7-2-13

NORTHERN IDAHO
Issued: 5-31-13

5. ORDERING OPTIONS FOR ACCESS SERVICE

5.2 ACCESS ORDER (Cont'd)

- B. When the customer orders DTT (as described in 6.1.2, following) for Lineside or Trunkside Access, the customer must specify whether the EF that interfaces with the DTT facility is new or existing. If the EF is new, the customer shall order the EF as described in A., preceding. If the EF is existing, the customer shall provide the Circuit Facility Assignment (CFA) of the existing facilities that will be utilized for the DTT. The EF capacity must be the same capacity as the DTT or higher. The customer shall specify the type of DTT facility, DS3, DS1 or Voice Grade, being requested and any multiplexing options desired. When ordering a DS1 DTT facility to a Company Hub, the customer shall specify the desired multiplexing Hub selected from the National Exchange Carrier Association, Inc. Tariff F.C.C. No. 4. This Catalog identifies the type(s) of multiplexing functions which are available for a DS1 facility. When the customer desires DS3 to DS1 multiplexing/hubbing arrangements, the Company will work cooperatively to provide the desired multiplexing/hubbing arrangements in all wire centers. The customer may order a DTT facility prior to ordering Lineside or Trunkside Service only as set forth in A., preceding. If one of the conditions in A., preceding, is not met, the customer must order Lineside or Trunkside Service at the same time the DTT facility is ordered.
- C. When the customer orders TST (as described in 6.1.2, following) for Trunkside Access, the customer must specify whether the EF or DTT facility that interfaces with the TST is new or existing. If the EF or DTT facility is new, the customer shall order the facilities as described in A. and B., preceding. If the facilities are existing, the customer shall provide the CFA of the facilities to be utilized. TST is only available when Trunkside Switched Access Service is ordered as set forth in E., following.
- D. When the customer orders Lineside Switched Access Service, the customer must have capacity available on an existing EF and/or DTT facility with compatible interfaces or request an EF and/or DTT facility as described in A. and B., preceding. TST is not available for Lineside Switched Access Service. When the EF and/or DTT facility is existing, the customer shall provide the CFA of the facility to be utilized. The customer shall also specify the number of lines, the first point of switching (i.e., dial-tone office), the directionality of the service and the Switched Transport and Local Switching options desired. When additional information is required, either to apply credits or to measure and bill Lineside service properly, the customer shall specify whether the ordered line(s) will be used for resale purposes or not for resale purposes. When the service is for resale purposes, the customer shall also specify which lines are to be arranged in multiline hunt group arrangements and which lines are to be provided as single lines.

Qwest Corporation d/b/a CenturyLink QC
Access Service
Catalog No. 1

SECTION 5
Page 7
Release 2
Effective: 7-2-13

NORTHERN IDAHO
Issued: 5-31-13

5. ORDERING OPTIONS FOR ACCESS SERVICE

5.2 ACCESS ORDER (Cont'd)

- E. When the customer orders Trunkside Switched Access Service, the customer must have capacity available on an existing EF with a compatible interface or request an EF as described in A., preceding. In addition, the customer must specify if DTT or TST is to be utilized. If DTT is requested, the customer must specify whether the DTT facility is new or existing. If the DTT facility is new, the customer may order the DTT facility as described in B., preceding. If the DTT facility is existing, the customer shall provide the CFA of the facility to be utilized. Trunkside Switched Access utilizing DTT must be ordered in trunks as set forth in 1., following. If TST is requested, the customer may order Trunkside Switched Access Service in trunks as set forth in 1., following, or the customer may order in busy hour minutes of capacity (BHMC) as set forth in 2., following:
1. For Trunkside Switched Access Service when ordered in trunks, the customer shall specify the number of trunks and the end office when DTT or TST is desired and Switched Transport options and Local Switching options desired. When ordering trunks to an access tandem or FGD trunks to a customer-provided tandem, the customer must also provide the Company an estimate of the amount of traffic it will generate to and/or from each end office subtending the access tandem or customer-provided tandem to assist the Company in its own efforts to project further facility requirements. In addition, the customer shall specify for terminating only access whether the trunks are to be arranged in trunk group arrangements or provided as single trunks. The traffic type must also be specified using the same categories as described in 6.1, following, to enable efficient provisioning and billing functions. When associated with a DTT facility equipped with TSI, Switched Access FGD terminating trunks must be specified by the customer as a separate one-way trunk arrangement.
 2. For Trunkside Switched Access Service, when ordered in BHMC, the customer shall specify the number of BHMC from the SWC of the customer's premises to the end office by serving arrangement and by traffic type. This information is used to determine the number of transmission paths as set forth in 6.5.7, following. The customer shall also specify the Switched Transport and Local Switching options desired.

Qwest Corporation d/b/a CenturyLink QC
Access Service
Catalog No. 1

SECTION 5
Page 8
Release 2
Effective: 7-2-13

NORTHERN IDAHO
Issued: 5-31-13

5. ORDERING OPTIONS FOR ACCESS SERVICE

5.2 ACCESS ORDER
E. (Cont'd)

3. When a customer orders Switched Access Service in trunks, the customer is responsible to assure that sufficient access facilities have been ordered to handle its traffic. When a customer orders in BHMC quantities, the Company assumes the traffic engineering responsibility and will determine the facilities required to meet the customer's BHMC requirements. Since only one party can carry out the requisite engineering, a customer cannot order some Switched Access in BHMC and other Switched Access of the same type in trunks in the same access tandem network. If a customer wishes to convert its ordering basis in the access tandem network from trunks to BHMC or BHMC to trunks, the Company will work cooperatively with the customer to make the conversion. There will be no charge for this conversion activity.
4. When Switched Access Service is ordered in BHMC, the BHMC may be determined by the customer in the following manner. For each day, the customer shall determine the highest number of minutes of use for a single hour (e.g., 55 minutes in the 10-11 a.m. hour). The customer shall, for the same hour period (i.e., busy hour) for each of twenty consecutive business days, pick the twenty consecutive business days in a calendar year which add up to the largest number of minutes of use. Both originating and terminating minutes shall be included. The customer shall then determine the average BHMC by dividing the largest number of minutes of use figure for the same hour period for the consecutive twenty business day period by 20. This computation shall be performed for each end office the customer wishes to serve.

5. ORDERING OPTIONS FOR ACCESS SERVICE

5.2 ACCESS ORDER

E. (Cont'd)

5. When Switched Access Service is ordered in trunks, the trunks may be determined by the customer in the following manner. For each day the customer shall determine the highest number of trunks in use for a single hour. The customer shall, for the same hour period (i.e., busy hour), pick the twenty consecutive business days in a calendar year which add up to the largest number of trunks in use. The customer shall then determine the average busy hour trunks by dividing the largest number of trunks in use figure, for the same hour period, for the consecutive twenty business day period by 20. This computation shall be performed for each end office and/or access tandem the customer wishes to serve.
6. When a customer desires Switched Access Service to an end office that is a remote switching office, the customer must order service to and/or from the host office which controls the remote switching office since all traffic to and/or from a remote switching office must be routed through the host office.
- F. For WATS Access Service provided on a dual jurisdiction basis: i.e., interstate and intrastate, the WATS access line is provided subject to the terms and conditions of the Company's Interstate Access Service Tariff F.C.C. No. 11. The Intrastate FBC or FGD Switched Access Service provided in conjunction with WATS Access Service shall be ordered as set forth in this section. (T)
- G. For WATS Access Service provided on a Shared WATS basis; i.e., intrastate interLATA and intrastate intraLATA, the service will be provided jointly by the Company and the Interexchange Carrier. The WATS access line is provided subject to the terms and conditions of the Company's Exchange and Network Services Catalog, Section 7. The Company provides the WATS access line, transports the intraLATA traffic and bills both the WATS access line and intraLATA usage to the end user out of the Company's Exchange and Network Services Catalog. The Interexchange Carrier transports the interLATA traffic and bills interLATA usage to the end user at the IC's applicable WATS usage rates. The intrastate FGC or FGD Switched Access Service provided in conjunction with WATS Access Service shall be ordered as set forth in this section.

Qwest Corporation d/b/a CenturyLink QC
Access Service
Catalog No. 1

SECTION 5
Page 10
Release 2
Effective: 7-2-13

Idaho Public Utilities Commission
Office of the Secretary
ACCEPTED FOR FILING (C)
July 2, 2013
Boise, Idaho

NORTHERN IDAHO
Issued: 5-31-13

5. ORDERING OPTIONS FOR ACCESS SERVICE

5.2 ACCESS ORDER (Cont'd)

- H. For 800 service provided on a Complementary basis; i.e., intrastate interLATA and intrastate intraLATA, the service may be provided jointly by the Company and the Interexchange Carrier. The 8XX Service Number is provided subject to the terms and conditions of the Company's Exchange and Network Services Catalog, Section 7. The Company provides the 8XX number to be associated with an individual line or trunk, transports the intraLATA traffic and bills both the 8XX number and intraLATA usage to the end user out of the Company's Exchange and Network Services Catalog. The Interexchange Carrier transports the interLATA traffic and bills interLATA usage to the end user at the IC's applicable WATS usage rates. The intrastate Trunkside Switched Access Service provided in conjunction with the 800 Service shall be ordered as set forth in this section.
- I. For 900 Access Service, the customer shall order the service in accordance with the preceding provisions as determined by the manner in which the service is to be provisioned (i.e., Feature Group C or D), except that customers may request DTT to only those end offices designated by the Company as 900 Access Service screening offices. Additionally, when new NXX(s) are to be opened in a LATA or when existing NXX(s) are to be deleted, and such change is to occur coincident with the service date established for the order, the customer shall provide such information when placing the order for the service. The customer shall notify the Company of all NXX code activity (activation or deactivation) as set forth in 6.6.1.C., following, regardless of whether the activity is to occur with or without a requirement for additional capacity (i.e., BHMC or quantities of trunks). All 900 number assignments and administration shall be in accordance with the North American Numbering Plan (NANP).
- J. For 800 Data Base (800 DB) Access Service, the customer shall order the service in accordance with the preceding requirements as determined by the manner in which the service is to be provisioned as set forth in 6.2.5, following, except that customers may request DTT to those end offices designated by the Company as Service Switching Points (SSPs). 800 DB Access Service is available only as a LATA-wide service and must be ordered to all end offices in a LATA. Service will be provisioned, at a minimum, to all access tandems and operator switches equipped as SSPs in a LATA. 8XX codes and number assignments shall be in accordance with the Guidelines for 800 Data Base.

Qwest Corporation d/b/a CenturyLink QC
Access Service
Catalog No. 1

SECTION 5
Page 11
Release 2
Effective: 7-2-13

NORTHERN IDAHO
Issued: 5-31-13

5. ORDERING OPTIONS FOR ACCESS SERVICE

5.2 ACCESS ORDER (Cont'd)

- K. When a customer orders CCSAC, the customer must specify the customer's STP premises, the number of CCS Links required between the customer's Signaling Point of Interface (SPOI) and the Company's STP location per access order as set forth in Section 15, following.
- L. When a customer orders FGD Service with SS7 Out of Band Signaling, the customer must specify the CCSAC Service required between the customer's SPOI and the Company's STP location per access order as set forth in Section 15, following.
- M. When a customer orders a change in Switched Transport rating from TST to DTT or from DTT to TST between the SWC of the customer's premises and an access tandem, the change must be made for all Switched Access Services of the same Feature Group type (i.e., FGB, FGC or FGD) provided at that access tandem. Feature Groups ordered with DTT and TST cannot be combined on the same transport facility. Different Feature Groups may be combined on the same transport facility if the rating option is the same.
- N. For originating and terminating FGD transported via a customer-provided tandem premises, the Switched Access FGD trunk arrangement must be ordered as a one-way direct outgoing or a one-way direct incoming trunk termination for all the FGD Service in the same Company equal access end office.
- O. When a DTT facility is ordered with TSI, only FGD Service may be transported over the DTT facility.
- P. For virtual EI Service, the customer must specify the Company central office in which the virtual interconnector's equipment will be installed, and the type of EI Channel Termination, the channel interface, technical specification package and options desired.

5. ORDERING OPTIONS FOR ACCESS SERVICE

5.2 ACCESS ORDER (Cont'd)

5.2.1 ACCESS ORDER SERVICE DATE INTERVALS

Access Service is provided with one of the following Service Date Intervals:

- Standard Interval
- Negotiated Interval

Service Interval tables and any associated relevant information can be found in the Service Interval Guide and will be provided to all customers within a reasonable time of request, whether the customer's service is subject to standard or negotiated intervals.

To the extent the Access Service can be made available with reasonable effort, the Company will provide the Access Service in accordance with the customer's requested interval, subject to the following conditions:

A. Standard Interval

1. A schedule of Standard Intervals applicable for Switched Access Service is included in the Service Interval Guide mentioned in 5.2.1, preceding. The schedule specifies the services and the quantities that can be provided within Standard Intervals.
2. Access Services provided in a Standard Interval will be installed during Company business days. If a customer requests that installation be done outside of normally scheduled work hours, and the Company agrees to this request, the customer will be subject to applicable Additional Labor Charges as set forth in 12.2.3, following.

5. ORDERING OPTIONS FOR ACCESS SERVICE

5.2 ACCESS ORDER

5.2.1 ACCESS ORDER SERVICE DATE INTERVALS (Cont'd)

B. Negotiated Interval

The Company will negotiate a service Date Interval with the customer on an Individual Case Basis (ICB) when:

- There is no Standard Interval for the service:
- The quantity of Access Services ordered exceeds the quantities specified in the Standard Intervals described in the Service Interval Guide, or,
- The customer requests a service date before or beyond the applicable Standard Interval service date.

The Company will offer a service date based on the type and quantity of Access Services the customer has requested. The Negotiated Interval may not exceed by more than six months the Standard Interval Service date, or, when there is no Standard Interval, the Company offered service date.

All services for which rates are applied on an individual case basis are provided with a Negotiated Interval.

The schedule in the Service Interval Guide specifies the services that will be provided on a Negotiated Interval.

Access Services provided on a Negotiated Interval will be installed during Company business days. If a customer requests that installation be done outside of normally scheduled work hours, and the Company agrees to their request, the customer will be subject to applicable Additional Labor charges as set forth in 12.2, following.

Qwest Corporation d/b/a CenturyLink QC
Access Service
Catalog No. 1

NORTHERN IDAHO
Issued: 5-31-13

SECTION 5
Page 14
Release 2
Effective: 7-2-13

Idaho Public Utilities Commission
Office of the Secretary
ACCEPTED FOR FILING (C)
July 2, 2013
Boise, Idaho

5. ORDERING OPTIONS FOR ACCESS SERVICE

5.2 ACCESS ORDER (Cont'd)

5.2.2 ACCESS ORDER MODIFICATIONS

The customer may request a modification of its Access Order at any time prior to notification by the Company that service is available for the customer's use. The Company will make every effort to accommodate a requested modification when it is able to do so with the normal work force assigned to complete such an order within normal business hours.

If the modifications cannot be made with the normal work force during normal business hours, the Company will notify the customer. If the customer still desires the Access Order modification, the Company will schedule a new service date. All charges for Access Order modifications will apply on a per occurrence basis.

Any increase in the number of Switched Access Service facilities, lines, trunks, BHMC or EI Channel Terminations will be treated as a new Access Order (for the increased amount only).

Qwest Corporation d/b/a CenturyLink QC
Access Service
Catalog No. 1

SECTION 5

Page 15

Release 3

NORTHERN IDAHO
Issued: 12-15-16

Effective: 1-1-17

5. ORDERING OPTIONS FOR ACCESS SERVICE

5.2 ACCESS ORDER

5.2.2 ACCESS ORDER MODIFICATIONS (Cont'd)

A. Service Date Change Charge

1. Access Order service dates for the installation of new services or rearrangements of existing services may be changed, but the new service date may not exceed the original service date by more than sixty (60) calendar days. When, for any reason, the customer indicates that service cannot be accepted on the service date and the Company accordingly delays the start of service, a Service Date Change Charge will apply. If the customer requested service date is more than sixty (60) calendar days after the original service date, the order will be cancelled by the Company and reissued with the appropriate cancellation charges applied unless the customer indicates that billing for the service is to commence as set forth in 5.2.3, following. (C)
2. A new service date may be established that is prior to the original Standard or Negotiated Interval service date if the Company determines it can accommodate the customer's request without delaying service dates for orders of other customers. (C)
3. If the service date is changed to an earlier date, the customer will be notified by the Company that Expedited Order Charges as set forth in the Private Line Transport Services Catalog, will apply.
4. A Service Date Change Charge will apply, on a per order, per occurrence basis, for each service date changed, but will not apply to expedited orders. The applicable charge is:

	CHARGE	(T)
• Service Date Change Charge, per order	\$13.00	(T)

B. Partial Cancellation Charge

Any decrease in the number of ordered Switched Access Service facilities, lines, trunks, BHMC or EI Channel Terminations will be treated as a partial cancellation and the charges as set forth in 5.2.3, following, will apply.

Qwest Corporation d/b/a CenturyLink QC
Access Service
Catalog No. 1

SECTION 5
Page 16
Release 3
Effective: 1-1-17

NORTHERN IDAHO
Issued: 12-15-16

5. ORDERING OPTIONS FOR ACCESS SERVICE

5.2 ACCESS ORDER

5.2.2 ACCESS ORDER MODIFICATIONS (Cont'd)

C. Design Change Charge

1. The customer may request a design change to the service ordered. A design change is any change to an Access Order which requires engineering review. An engineering review is a review by Company personnel of the service ordered and the requested changes to determine what changes in the design, if any, are necessary to meet the changes requested by the customer. Design changes include such things as a change of end user's premises within the same SWC, the addition or deletion of optional features, functions or a change in the type of Transport Termination (Switched Access only), type of channel interface, type of Interface Group or technical specification package.
2. Design changes do not include a change of customer's premises, end user's premises to a different SWC, end office switch, Switched Access Service type or EI Channel Termination type. Changes of this nature will require the issuance of a new order and the cancellation of the original order with appropriate cancellation charges applied.
3. The Company will review the requested change, notify the customer whether the change is a design change, if it can be accommodated and if a new service date is required. If the customer authorizes the Company to proceed with the design change, a Design Change Charge will apply.
4. A Design Change Charge will apply, on a per order, per occurrence basis. This charge will also apply to change an incorrect address as long as the new address is in the same wire center as the incorrect address and the change is made prior to the issuance of the Design Layout Report (DLR). If a change of service date is required, the Service Date Change Charge as set forth in A., preceding, will apply. If a change of end user's premises within the same SWC is requested, Expedited Order Charges may also apply as set forth in the Private Line Transport Services Catalog. The applicable design charge is:

	CHARGE	(T)
• Design Change Charge, per order	\$103.00	(T)

Qwest Corporation d/b/a CenturyLink QC
Access Service
Catalog No. 1

NORTHERN IDAHO
Issued: 5-31-13

SECTION 5
Page 17
Release 2
Effective: 7-2-13

Idaho Public Utilities Commission
Office of the Secretary
ACCEPTED FOR FILING (C)
July 2, 2013
Boise, Idaho

5. ORDERING OPTIONS FOR ACCESS SERVICE

5.2 ACCESS ORDER

5.2.2 ACCESS ORDER MODIFICATIONS (Cont'd)

- D. Expedited Order Charges for Access Orders are set forth in the Private Line Transport Services Catalog.

If costs other than additional labor are to be incurred when an Access Order is expedited, the Company will develop, determine and bill the customer such costs in accordance with the special construction terms and conditions a set forth in 5.1.3, preceding. Authorization to incur the cost and to bill the customer will be in accordance with the terms and conditions as set forth in 5.1.3, preceding.

Qwest Corporation d/b/a CenturyLink QC
Access Service
Catalog No. 1

SECTION 5

Page 18

Release 3

NORTHERN IDAHO
Issued: 12-15-16

Effective: 1-1-17

5. ORDERING OPTIONS FOR ACCESS SERVICE

5.2 ACCESS ORDER (Cont'd)

5.2.3 CANCELLATION OF AN ACCESS ORDER

A. A customer may cancel an Access Order for the installation of service at any time prior to notification by the Company that service is available for the customer's use. The cancellation date is the date the Company receives written or verbal notice from the customer that the order is to be canceled. The verbal notice must be followed by written confirmation within ten (10) days. If a customer or a customer's end user is unable to accept Access Service within thirty (30) calendar days after the latest agreed upon service date, the customer has the choice of the following options:

- The Access Order will be canceled and charges set forth in D. and E. following, will apply if the service has not been fully provisioned; or
- The Access Order will be completed and billing for the service will commence if the service has been fully provisioned or the customer has indicated that billing for the service should begin.

(T)
(C)
(C)

(C)

(C)

(D)

(D)

B. Service Date Intervals are associated with the provisioning of an Access Order whether standard or negotiated as set forth in 5.2.1, preceding. Certain Critical Dates, as set forth in E., following, are used by the Company to monitor the service order provisioning progress. The Company includes these scheduled Critical Dates in the firm order confirmation associated with each Access Order provided to the customer. Cancellation charges are based on the estimated costs incurred by the Company at the time the order is canceled. The Company monitors which Critical Date was last scheduled and what percentage of the Company's provisioning costs have been incurred as of that Critical Date. A Cancellation Charge will not apply if the scheduled Critical Dates have not been provided to the customer.

Costs incurred in conjunction with the provision of Switched Access Service start on the Application Date defined in C., following. When a customer cancels an Access Order prior to the Application Date, no charges shall apply. When a customer cancels an Access Order or part of an Access Order, on or after the Application Date, a charge equal to the estimated costs incurred by the Company shall apply as set forth in D. and E., following.

Qwest Corporation d/b/a CenturyLink QC
Access Service
Catalog No. 1

NORTHERN IDAHO
Issued: 5-31-13

SECTION 5
Page 19
Release 2
Effective: 7-2-13

Idaho Public Utilities Commission
Office of the Secretary
ACCEPTED FOR FILING (C)
July 2, 2013
Boise, Idaho

5. ORDERING OPTIONS FOR ACCESS SERVICE

5.2 ACCESS ORDER

5.2.3 CANCELLATION OF AN ACCESS ORDER (Cont'd)

- C. The Critical Dates monitored by the Company for the purpose of calculating a Cancellation Charge are as follows:
1. Application Date (APP): The date the customer provides a firm commitment and sufficient information as detailed in 5.1.1, preceding, to the Company for entry into the Company's order distribution system. This is sometimes referred to as the order date.
 2. Design Layout Report Date (DLRD): The date the Design Layout Report which contains the design for the service(s) ordered is forwarded to the customer.
 3. Plant Test Date (PTD): The date acceptance testing is performed with the customer.
 4. Service Date (DD): The date the service is due to be made available to the customer. This is sometimes referred to as the Due Date.

Qwest Corporation d/b/a CenturyLink QC
Access Service
Catalog No. 1

SECTION 5
Page 20
Release 2
Effective: 7-2-13

NORTHERN IDAHO
Issued: 5-31-13

5. ORDERING OPTIONS FOR ACCESS SERVICE

5.2 ACCESS ORDER

5.2.3 CANCELLATION OF AN ACCESS ORDER (Cont'd)

- D. The percentage of the total provisioning cost incurred by the Company at a particular Critical Date varies by the type of service as shown in E., following.

When a customer cancels an Access Order, or part of an Access Order, before the Service Date, the Company will calculate the Cancellation Charge by multiplying all the nonrecurring charges associated with the Access Order, or that part of the Access Order being canceled, by the percentage shown in E., following, based on the last monitored Critical Date which has occurred on the Access Order. When a customer cancels an Access Order or part of an Access Order on the Service Date, 100% of the nonrecurring charges plus minimum period charges apply.

Nonrecurring charges associated with an Access Order are used to calculate and bill the Cancellation Charge to the customer even when nonrecurring charges are waived.

5. ORDERING OPTIONS FOR ACCESS SERVICE

5.2 ACCESS ORDER

5.2.3 CANCELLATION OF AN ACCESS ORDER (Cont'd)

E. The Critical Dates monitored by the Company are as follows:

	APP %	DLRD %	PTD %	DD %
1. Switched Access Service				
• Lineside Access[1]	21	56	71	[2]
• Trunkside Access[1]	15	65	73	[2]
• VG (EF and DTT)	13	44	77	[2]
• DS1 (EF and DTT)	10	48	81	[2]
• DS3 (EF and DTT)	10	48	81	[2]

[1] Excludes DS1 or DS3 EF and DS1 or DS3 DTT facilities.

[2] Minimum period charges and 100% of the nonrecurring charges apply.

Qwest Corporation d/b/a CenturyLink QC
Access Service
Catalog No. 1

SECTION 5
Page 22
Release 2
Effective: 7-2-13

NORTHERN IDAHO
Issued: 5-31-13

5. ORDERING OPTIONS FOR ACCESS SERVICE

5.2 ACCESS ORDER

5.2.3 CANCELLATION OF AN ACCESS ORDER (Cont'd)

- F. When a customer cancels an order for the discontinuance of service, no charges apply for the cancellation.
- G. If the Company misses a service date by more than 120 days due to circumstances over which it has direct control (excluding, e.g., acts of God, governmental requirements, work stoppages and civil commotions), the customer may cancel the Access Order without incurring Cancellation Charges.

5.2.4 SELECTION OF FACILITIES FOR ACCESS ORDERS

When a customer places an order for Lineside or Trunkside Switched Access Service, the customer may choose to utilize existing Switched Access Entrance Facilities and/or Direct-Trunked Transport facilities ordered from Section 6, following, or Private Line Transport Service (PLTS) facilities. Shared Use is allowed when Shared Use facilities are ordered and provided as set forth in 2.7, preceding. The customer is not allowed to order Switched Access facilities from Section 6, following, and assign PLTS to those facilities. The customer must specify the specific channels to be used to implement the Access Order.

5.2.5 MINIMUM PERIOD

- A. Except as set forth in B. and C., following, the minimum period for which Access Service is provided and for which charges are applicable, is one month.
- B. The minimum period for Switched Access Service Feature Group D, 800 DB Access Service, 900 Access Service, DS3 and DS1 Entrance Facilities and DS3 and DS1 DTT facilities associated with such services is three months.
- C. Service Rearrangements as set forth in 6.7.1.C., following, for Switched Access Service, respectively, may be made without a change in minimum period requirements.

Qwest Corporation d/b/a CenturyLink QC
Access Service
Catalog No. 1

SECTION 5
Page 23
Release 2
Effective: 7-2-13

NORTHERN IDAHO
Issued: 5-31-13

5. ORDERING OPTIONS FOR ACCESS SERVICE

5.2 ACCESS ORDER

5.2.5 MINIMUM PERIOD (Cont'd)

- D. Changes other than those identified in 6.7.1.C., following, will be treated as a discontinuance of the existing service and an installation of a new service. All associated nonrecurring charges will apply for the new service. A new minimum period will be established for the new service. The customer will also remain responsible for all outstanding minimum period obligations associated with the disconnected service.

The changes listed below are those which will be treated as a discontinuance and installation of service and for which a new minimum period will be established.

1. A change of customer of record (i.e., Access Service is provided to and billed to a different entity), except as provided for in 6.7.1.C., following.
2. A move to a different building as set forth in 6.7.5.B., following.
3. A change in type of service (i.e., one type of Switched Access Service to another, except as set forth in 6.7.4, following).
4. A change in Switched Access Service Interface Group.
5. A change in Switched Access Service traffic type. When FGD Service is rearranged as set forth in 6.7.1, following, a change in traffic type may occur without a discontinuance of the existing service and an installation of a new service. No new minimum period will be required.
6. Any change in CCSAC Service other than a change in jurisdiction.
7. A change in capacity of a Switched Access Service Entrance Facility or DTT facility (e.g., a change from a DS1 Entrance Facility to a DS3 Entrance Facility).
8. A change in Switched Access Service type of transport (e.g., a change from TST to DTT), except as set forth in 6.7.1, following.

5. ORDERING OPTIONS FOR ACCESS SERVICE

5.2 ACCESS ORDER (Cont'd)

5.2.6 MINIMUM PERIOD CHARGES

When Access Service is disconnected prior to the expiration of the minimum period, charges are applicable for the balance of the minimum period.

The Minimum Period Charge for monthly billed services will be determined as follows:

- A. For Switched Access Service, the charge for a month or fraction thereof is equal to the applicable minimum monthly charge for the capacity as set forth in 6.7.3, following.
- B. The Minimum Period Charge for Feature Group D Switched Access Service and associated Entrance Facility and DTT Facility will be determined as set forth in 2.4.2, preceding.
- C. For EI Service, the charge for a month or fraction thereof is the applicable monthly rates for the service as set forth in Section 21, following.
- D. All applicable nonrecurring charges, for the service will be billed in addition to the Minimum Period Charge.

5.2.7 SHARED USE FACILITIES

When a customer orders Switched Access Service on a PLTS Shared Use facility as set forth in 2.7, preceding, the customer must specify on its order a channel facility assignment for each service ordered.

5.2.8 DESIGN LAYOUT REPORT (DLR)

For services that require network channel and network channel interface codes, the Company will provide, at the customer's request, a DLR.

Qwest Corporation d/b/a CenturyLink QC
Access Service
Catalog No. 1

NORTHERN IDAHO
Issued: 5-31-13

SECTION 5
Page 25
Release 2
Effective: 7-2-13

Idaho Public Utilities Commission
Office of the Secretary
ACCEPTED FOR FILING (C)
July 2, 2013
Boise, Idaho

5. ORDERING OPTIONS FOR ACCESS SERVICE

5.2 ACCESS ORDER (Cont'd)

5.2.9 DISCONTINUANCE OF SERVICE

A customer may cancel an Access Service at any time. The Company requires two business days notice for the cancellation of an Access Service. The notice can be written or verbal; however, a verbal notice must be followed by a written confirmation within ten days. The notice period will begin at the time of the verbal notice. If there is no verbal notice, the notice period begins at the time the written request is received.

5.3 ACCESS ORDER STANDARD INTERVALS

- A. The Access Order Standard Intervals found in the Service Interval Guide are guidelines based on the maximum number of business days required for the provisioning of services within the Company.
- B. The Standard Intervals will be used for all Access Orders for all Switched Access Services and EICT.
- C. Service dates for items and services not included in the Standard Intervals will be negotiated. Additional Labor Charges as set forth in 12.2.3, following, may apply.